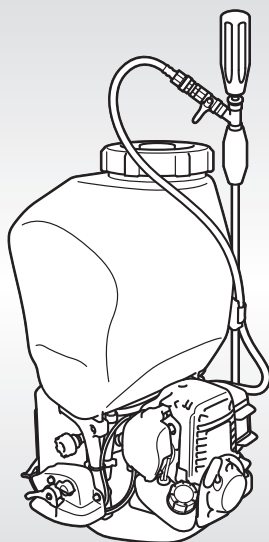


HONDA

**BACKPACK SPRAYER
WJR4025**



**OWNER'S MANUAL
MANUAL DEL PROPIETARIO**

Honda WJR4025

OWNER'S MANUAL

MANUAL DEL PROPIETARIO

Thank you for purchasing a Honda backpack sprayer.

This manual covers the operation and maintenance of Honda backpack sprayer WJR4025.

All information in this publication is based on the latest product information available at the time of approval for printing.

Honda Motor Co., Ltd. reserves the right to make changes at any time without notice and without incurring any obligation.

No part of this publication may be reproduced without written permission.

This manual should be considered a permanent part of the backpack sprayer and should remain with the backpack sprayer if it is resold.

Pay special attention to statements preceded by the following words:

▲WARNING Indicates a strong possibility of severe personal injury or death if instructions are not followed.

CAUTION: Indicates a possibility of equipment or property damage if instructions are not followed.

NOTE: Gives helpful information.

If a problem should arise, or if you have any questions about the backpack sprayer, consult an authorized Honda dealer.

▲WARNING
**Honda backpack sprayer is designed to give safe and dependable service if operated according to instructions.
Read and understand the Owner's Manual before operating the backpack sprayer. Failure to do so could result in personal injury or equipment damage.**

The illustrations in this manual are based on: GCS type.

Disposal

To protect the environment, do not dispose of this product, battery, engine oil, etc. carelessly by leaving them in the waste. Observe the local laws and regulations or consult your authorized Honda dealer for disposal.

CONTENTS

1. SAFETY INSTRUCTION	3
2. SAFETY LABEL LOCATIONS	13
3. COMPONENT IDENTIFICATION	15
4. CONTROLS	19
5. PREPARATION	23
6. PRE-OPERATION CHECK	27
7. STARTING THE ENGINE	37
• High altitude operation	41
8. STOPPING THE ENGINE	42
9. OPERATION	43
10. MAINTENANCE	49
11. TRANSPORTING/STORAGE	62
12. TROUBLESHOOTING	66
13. SPECIFICATIONS	67

▲WARNING

1. Field of application

The device is approved for agricultural use.

Other possible fields of application:

forestry, hops cultivation, fruit growing, specialized cultivation, viticulture, tree nurseries, vegetable farming, non-cropland, grassland, storage protection, greenhouse cultivation, cultivation of ornamentals.

2. A general warning on the use of chemicals (filling, spraying, cleaning, etc.)

- Always obey the National law.
- Obey to the chemicals instruction.

3. Information about filling the device and safety measures

To fill:

- Apply only as much liquid as needed.
- Do not fill the container above the maximum fill line.
- Ensure that no liquid spills out or splashes back.
- When using tap water, do not allow the filling hose dip into the liquid without safety precautions.
- Draw from surface water only after official authorization while avoiding all contamination.

Safety measures:

- Observe the instructions for the safety of the user in the instruction manual of the pesticide and wear the recommended body protection, if necessary.
- Do not eat, smoke or drink while working with pesticides.
- Thoroughly clean hands and face after work is completed.
- Keep pest control devices and pesticides away from children.
- Never blow out nozzles and other small parts with your mouth.

⚠ WARNING**4. Information about how long the backpack sprayer can be used**

- The same person should not perform spray operations for a long time or every day.
- Do the operations while taking a moderate rest.

5. Information about the device operating and setting ranges

The following must be entered individually for each nozzle assembly.

Optimal distance from nozzle to the target surface, the associated working width, the spraying angle, the spraying pressure range with associated flow rates, the optimal spraying pressure and recommended fields of application.

▲WARNING**To ensure safe operation****Operator Responsibility**

- Any part from the machine is a potential source of danger if the machine is used in abnormal conditions or if the maintenance is not done correctly.
- Read the Owner's Manual carefully. Be familiar with the controls and their proper use of the backpack sprayer. Know how to stop the engine rapidly.
- Use the backpack sprayer for the purpose it is intended for, that is spraying agricultural chemicals or water.
Any other use could be dangerous or damage the backpack sprayer.
- The recommended operating range of this backpack sprayer is 5°C to 40°C (41°F to 104°F).
Do not use the backpack sprayer if it is frozen.
- Never allow children or people unfamiliar with this Owner's Manual to use the backpack sprayer. Local regulations may restrict the age of the operator.
- If you lend or resell your backpack sprayer to a third person, instruct him or her with how to handle the product and alert him or her to read and understand the Owner's Manual carefully before operation.
- The person with the following conditions are advised not to spray agricultural chemicals or to help someone else spray agricultural chemicals.
 - * Liver or kidney disorder
 - * Allergies
 - * Sensitivity to chemical
 - * A sickly person or a person recovering from disease
 - * Personal Injury
 - * During Menstruation
 - * During Pregnancy

The chemicals involved may be harmful to their health.

▲WARNING**To ensure safe operation****Operator Responsibility**

- Never operate the backpack sprayer while:
 - people, especially children or pets are nearby.
 - user is fatigued or under medication, or has swallowed substances known to affect judgement or reactions.
- Keep in mind that the operator or user is responsible for accidents or hazards occurring to other people or their property.
- Before each use, visually inspect the backpack sprayer for any damage and looseness of fastening part.
- Before each use, look around and underneath the engine for signs of oil or gasoline leaks.
- Because the tank when completely filled with the chemical is very heavy, pay careful attention not to hurt your lower back when carrying it.
- Always adopt a safe working posture when carrying the tank. Do not work at elevated sites using stairs or ladders while carrying the tank.
- Avoid operating the backpack sprayer at night or in a bad weather of poor visibility, because there is much possibility of accident.
- Always confirm the path ahead is safe when spraying. Walking forward when spraying is recommended. Avoid walking backwards when spraying as this makes it difficult to confirm that the path ahead is safe.
- Avoid operating the backpack sprayer on a steep slope. The steep slope is very slippery, so you can slip down.
- Do not operate the backpack sprayer with the labels, and other parts removed.
- Do not mount an incorrect part and do not tamper with the backpack sprayer as it can result in personal injury and/or equipment damage.
- Keep all nuts, bolts and screws tight to be sure the backpack sprayer is in safe working condition. Regular maintenance is an essential aid to user's safety and retaining a high level of performance.
- To prevent from incorrect functioning of the backpack sprayer, follow to the chemicals instruction carefully.

▲WARNING**To ensure safe operation****How to handle agricultural chemicals**

When handling agricultural chemicals, follow the directions of the manufacturer or distributor. Also, follow the laws and regulations.

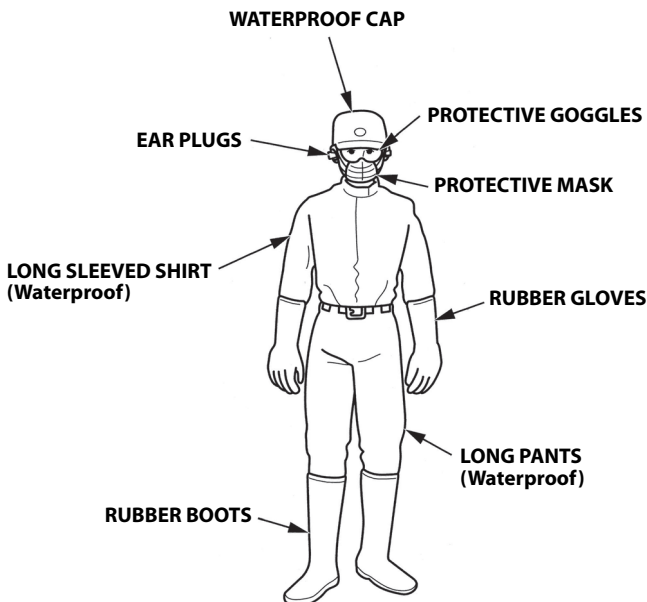
- The person that spray agricultural chemicals, or who assist in spraying them, must put on protective clothes so they don't inhale the chemicals or touch them directly.

This attire usually includes:

- * Waterproof cap, long sleeved shirt, long pants
- * Rubber gloves, rubber boots
- * Protective goggles, protective mask
- * Ear plugs

Please understand that touching and inhaling agricultural chemicals is hazardous to your health and could poison you.

Check and maintain protective equipment to maintain their normal functions at all times, and use them correctly.



▲WARNING**To ensure safe operation**

How to handle agricultural chemicals

- Before starting the engine, make sure that the sprayer hose is securely installed into the backpack sprayer, and that the shut-off valve is in the “CLOSED” position. If you fail to do so, agricultural chemicals may splash on you during operation.
- When agricultural chemicals touch your skin by mistake, wash it with soap immediately. If agricultural chemicals soak into your clothing, change it.
- When you feel dizzy or nauseous and have a headache or a stomachache, see a doctor immediately. Inform him of what chemicals you use and your operation (operating time, operating area, operating means, etc.). Immediate care is required to avoid serious chemical injuries.
- Do not direct the nozzle towards anyone when you spray agricultural chemicals. Stop your work, if children or those uninvolved are getting closer to you when you spray agricultural chemicals.
- Know the direction of the wind when you spray agricultural chemicals. Have the wind at your back to avoid the spray. If you spray agricultural chemicals against the direction of the wind, do not touch the sprayed crops. Breathing or touching chemicals harms your health.
- You should make a plan when you weed and spray agricultural chemicals to prevent insects. In addition, insect prevention should be done systematically. This means, weed the area first, as opposed to last, and spray the land after weeding. This prevents having to weed afterwards and protects yourself from weeding around freshly sprayed agricultural chemicals.
- Do not do spray for a long time or everyday. Breaks must be taken during operation. People in a tired state are prone to be affected easily by the agricultural chemicals when operating the backpack sprayer.

▲WARNING**To ensure safe operation**

How to handle agricultural chemicals

- Do not spray the chemicals in the daytime while the temperature is high, or on a day of strong wind. Do not spray the chemicals in a busy place during a busy time especially when school children are likely to pass through. If you spray the chemicals under strong sunlight, the sprayed chemicals become concentrated and can be more potent to your health. If you spray the chemicals on days of strong wind, the chemicals can blow to other places and harm other people or animals, such as domestic animals, kept bees, silk worms, or aquatic animals.
- Read and understand all the labels for the chemicals, directions, and cautions to ensure their proper usage. Be aware of the toxicity of the chemicals and the first aid treatment needed to prepare for the worst. Ignoring the cautions could cause a serious accident.
- Do not eat, drink, or smoke during the spray of chemicals. Wash your hands and face carefully with soap. Also, rinse out your mouth before taking a break or before eating or smoking after the spray work is done, in order to protect yourself from the harm of the chemicals.
- Do not transport nor store food and drinks in the same container as the chemicals or the backpack sprayer to prevent cross contamination.
- The remainder of the chemicals must be sealed and stored in a box with a lock and key separate from the food and feed so as not to cause a serious accident.

▲WARNING**To ensure safe operation**

How to handle agricultural chemicals

- After using the backpack sprayer, store it in a place where children and domestic animals are locked out.
Careless storage can cause exposure to children or animals, which could be harmful to their health.
- Do not use the chemicals indicated as “No fire”, such as sulfur, emulsion and grease, near fire (bonfire, cigarette, etc.).
Put the chemicals in a cool place away from all fires.
- Clean the backpack sprayer carefully. Dispose the wastewater in non agricultural land. Incomplete cleaning can cause the chemical residue on the product to react with different chemicals used later on, which could be harmful.
- Follow the instructions prepared by makers or distributors and the regulations when disposing bags, cardboard boxes or plastic containers of the chemicals.
- After the spray work, take a bath to wash yourself carefully with soap. Take off and wash all the clothes you wore. If you put on the same clothes that you wore during the spray work again on the next day, the leftover chemicals could be harmful.

▲WARNING**To ensure safe operation****Fire and Burn Hazard**

Gasoline is extremely flammable, and gasoline vapor can explode. Use extreme care when handling gasoline. Keep gasoline out of reach of children.

- Store fuel in containers specifically designed for this purpose.
- Refuel outdoors only, and do not smoke while refueling or handling fuel.
- Add fuel before starting the engine. Never remove the cap of the fuel tank or add gasoline while the engine is running or when the engine is hot.
- If gasoline is spilled, do not attempt to start the engine but move the backpack sprayer away from the area of spillage and avoid creating any source of ignition until gasoline vapors have dissipated.
- Tighten all fuel tanks and container caps securely.
- When you start the engine after refueling, be sure to start the engine at least 3 m away from the refueling spot.
- Never store the backpack sprayer with gasoline in the tank inside a building where fumes may reach an open flame, spark or high temperature source.
- Allow the engine to cool before storing in any enclosure.
- To reduce the fire hazard, keep the backpack sprayer, especially the engine, muffler, the gasoline storage area as well, free of grass, leaves, or excessive grease.
Do not leave containers of vegetable matters in or near building.
- If the fuel tank has to be drained, this should be done outdoors, with a cold engine.

▲WARNING**To ensure safe operation****Carbon Monoxide Poisoning Hazard**

Exhaust contains poisonous carbon monoxide, a colorless and odorless gas. Breathing exhaust can cause loss of consciousness and may lead to death.

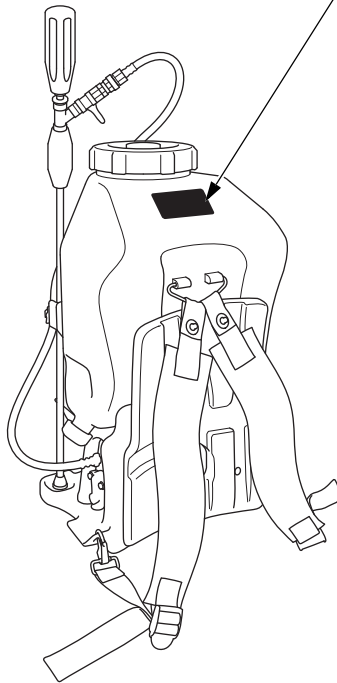
- If you run the engine in an area that is confined or even partially enclosed, the air you breathe could contain a dangerous amount of exhaust gas. To keep exhaust gas from building up, provide adequate ventilation.
- Replace faulty muffler.
- Do not operate the engine in a confined space where dangerous carbon monoxide fumes can collect.

2. SAFETY LABEL LOCATIONS

These labels warn you of potential hazards that can cause serious injury. Read the labels and safety notes and precautions described in this manual carefully.

If a label comes off or becomes hard to read, contact your Honda dealer for a replacement.

OPERATOR CAUTION





- **Honda backpack sprayer is designed to give safe and dependable service if operated according to instructions.**
Read and understand the Owner's Manual before operating the backpack sprayer. Failure to do so could result in personal injury or equipment damage.



- **Exhaust contains poisonous carbon monoxide, a colorless, odorless gas. Breathing carbon monoxide can cause loss of consciousness and may lead to death.**
- **If you run the backpack sprayer in an area that is confined, or even partially enclosed area, the air you breathe could contain a dangerous amount of exhaust gas.**
- **Never run your backpack sprayer inside a garage, house, or near open windows or doors.**

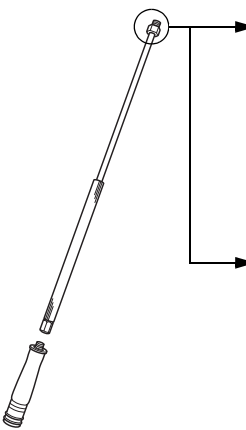
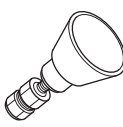

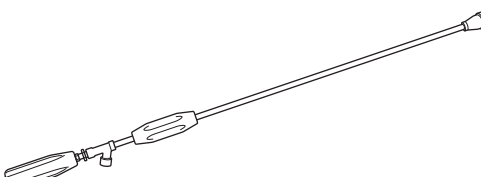




- **Wear eye protection, protective mask and other protective devices to protect your eyes and body from agriculture chemicals.**

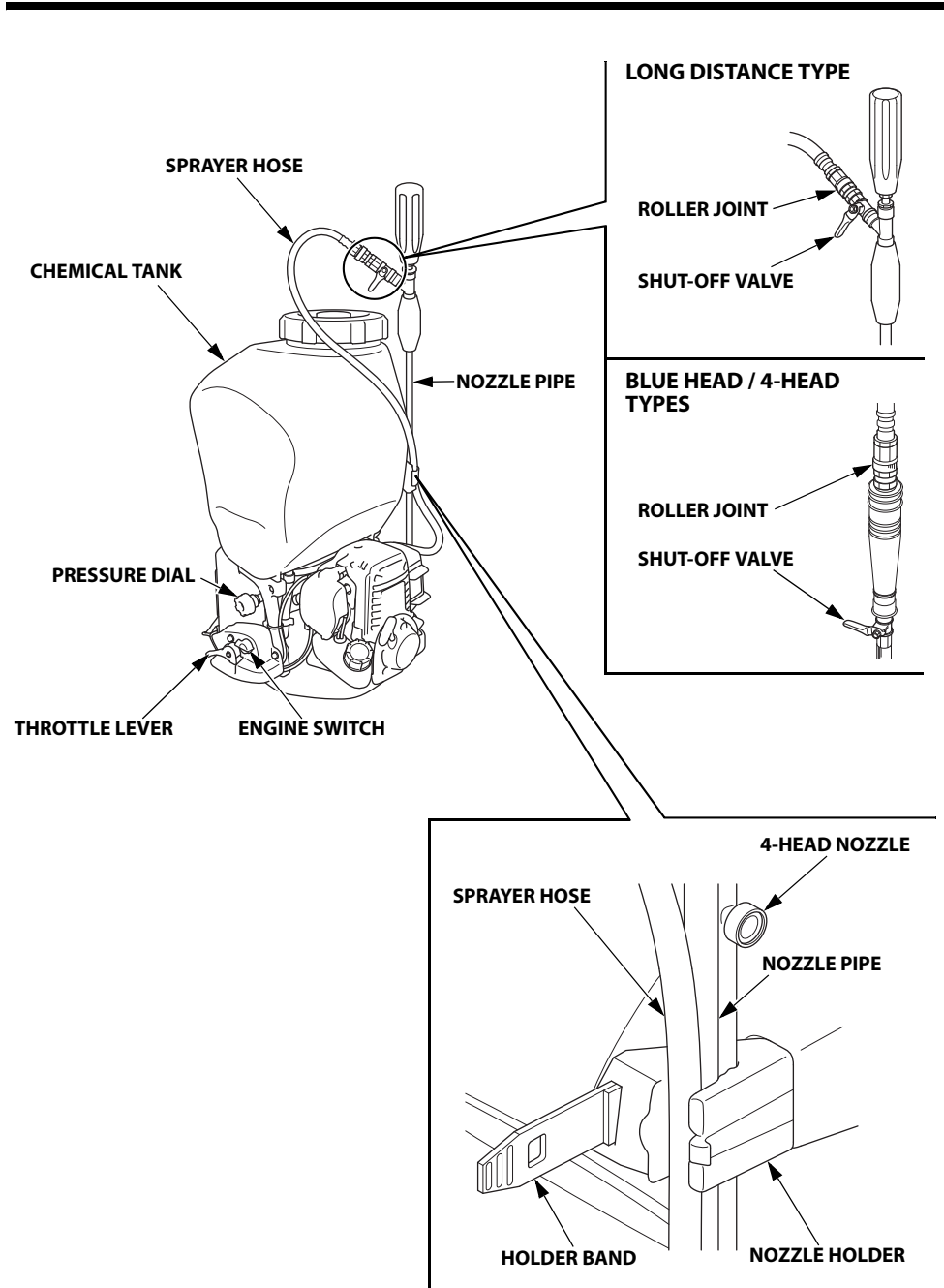
3. COMPONENT IDENTIFICATION

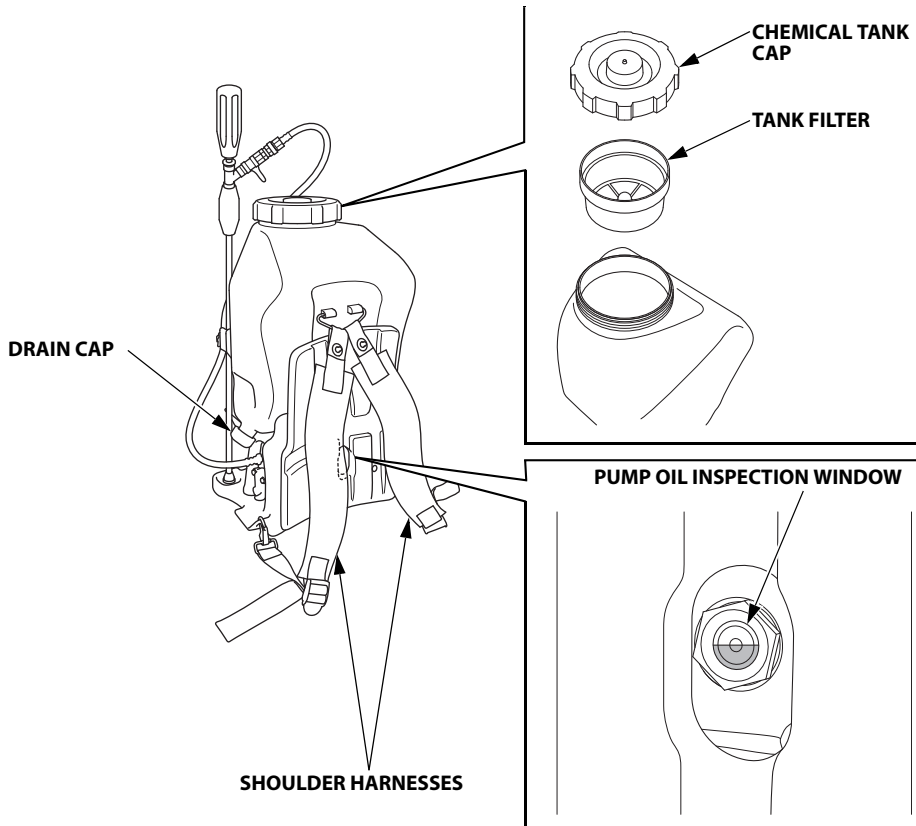
Nozzle and head types variation table

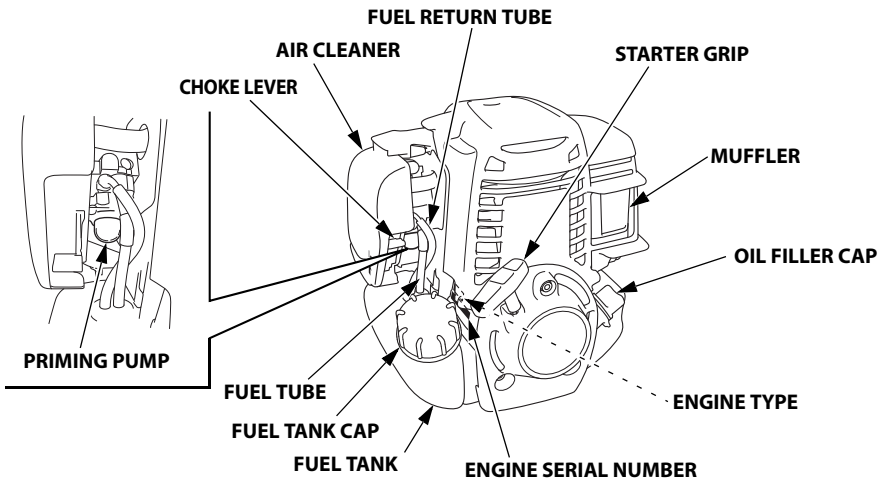
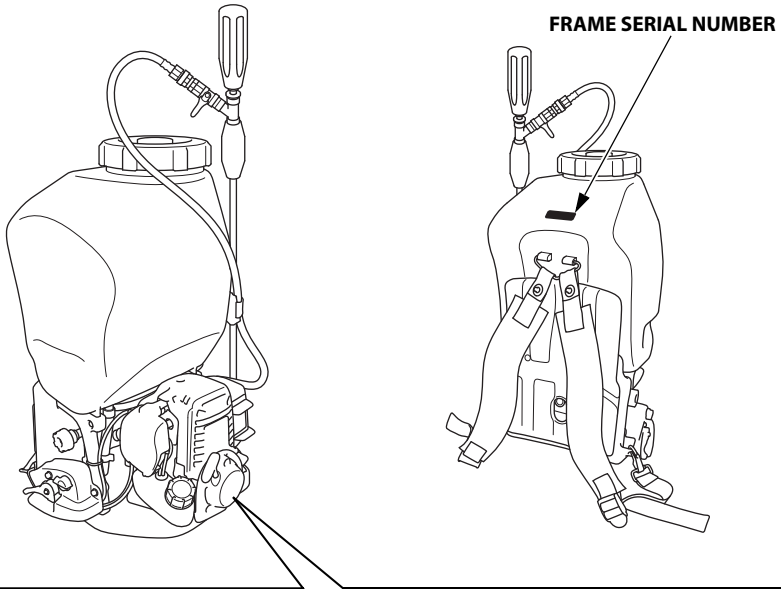
- : Standard parts
- * : Optional parts

Nozzle and head types		Model types		WJR4025			
		GCS	GCL	GCV	GCS	GCL	GCV
	Blue head				*	*	*
	4-Head				*	●	●
Long distance					●	*	*

Connecting parts		Model types		WJR4025			
		GCS	GCL	GCV	GCS	GCL	GCV
Shut-off valve	Sprayer hose				●		
Roller joint							







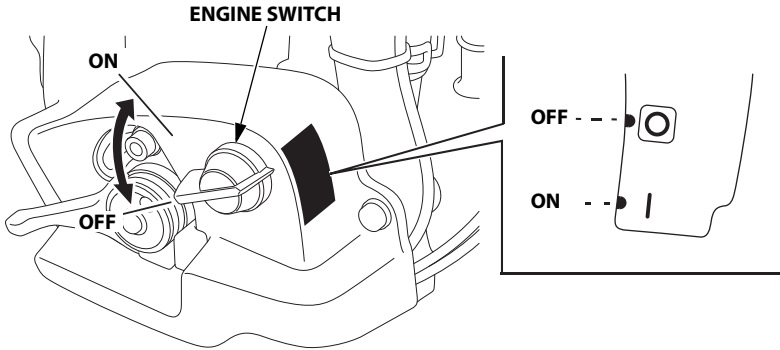
Record the frame serial number and engine serial number in the space below. You will need these serial numbers when ordering parts, and when making technical or warranty inquiries.

Engine serial number: _____

Frame serial number: _____

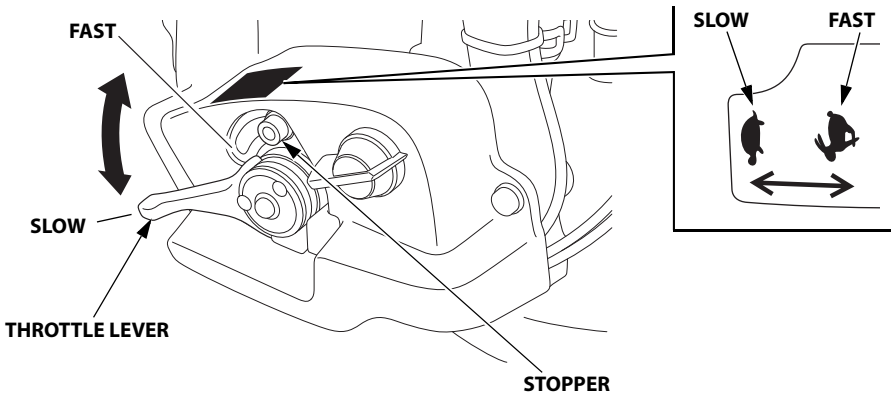
Engine switch

The engine switch enables and disables the ignition system. The engine switch must be in the ON position for the engine to run. Turning the engine switch to the OFF position stops the engine.



Throttle lever

The throttle lever controls engine speed from SLOW to FAST, it will stay in any designated position.

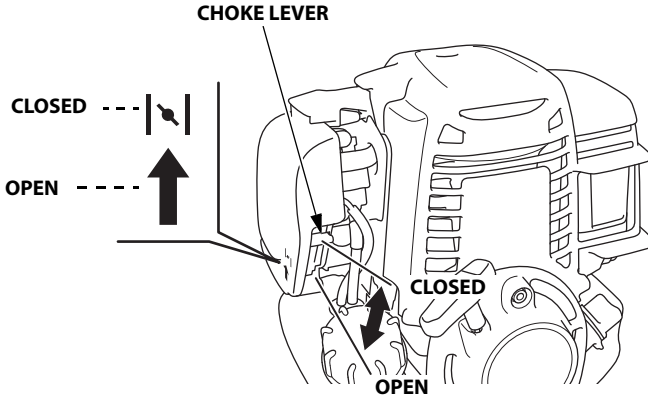


NOTE:

The throttle lever is regulated by the stopper. Do not change the stopper position to forcibly increase the engine speed. Overspeeding the engine impairs the pump's performance and adversely affects the engine and pump.

Choke lever

The choke lever opens and closes the choke valve in the carburetor. The CLOSED position enriches the fuel mixture for starting a cold engine. The OPEN position provides the correct fuel mixture for operation after starting, and for restarting a warm engine.

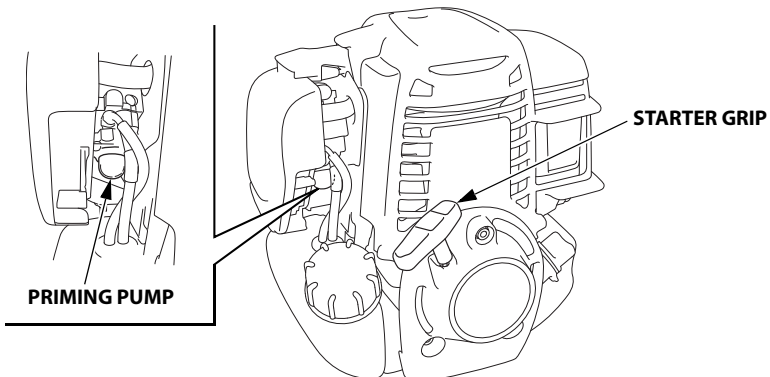


Recoil starter

Pulling the starter grip operates the recoil starter to crank the engine for starting.

Priming pump

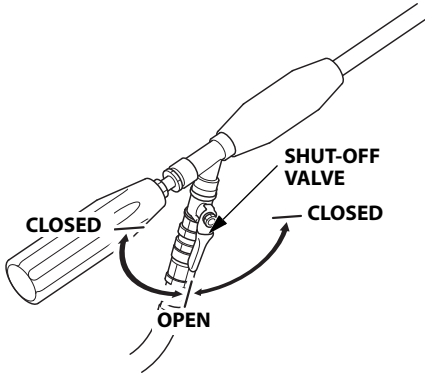
Pressing the priming pump feeds the fuel from the fuel tank to the carburetor. This procedure is necessary for starting the engine.



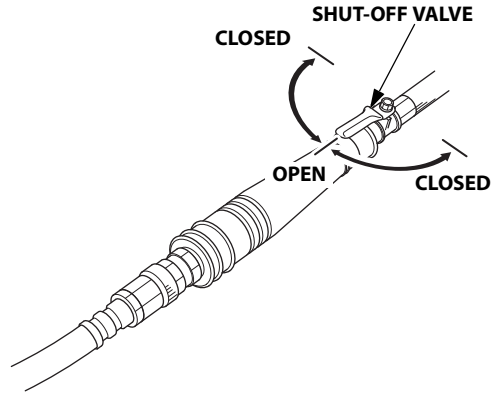
Shut-off valve

Use the shut-off valve when spraying or stop spraying chemicals.

LONG DISTANCE TYPE



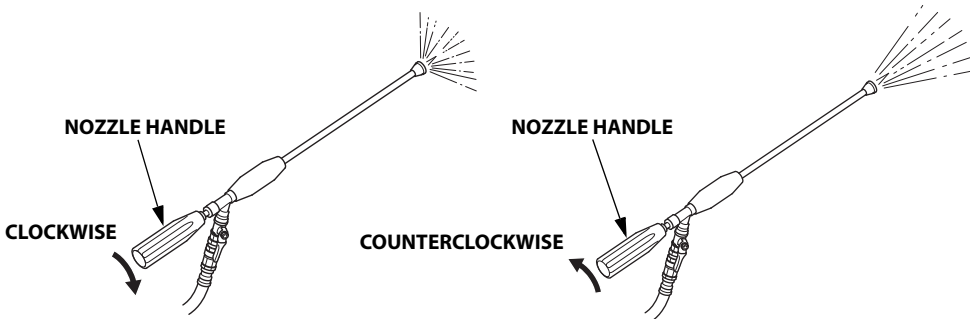
BLUE HEAD / 4-HEAD TYPES



Nozzle handle (Long distance type only)

Use the nozzle handle to adjust the spray angle and distance.

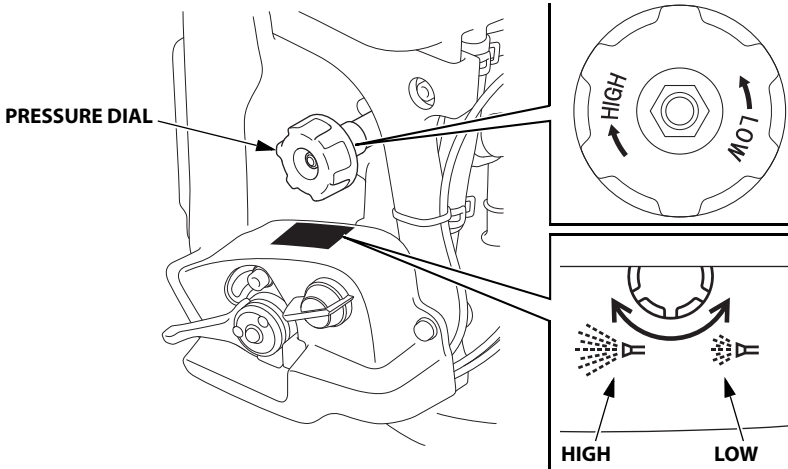
- When you turn the nozzle handle clockwise, spray angle will spread and distance will shorten.
- When you turn the nozzle handle counterclockwise, spray angle will narrow and distance will increase.



Pressure dial

Use the pressure dial when adjusting the spraying pressure and amount.

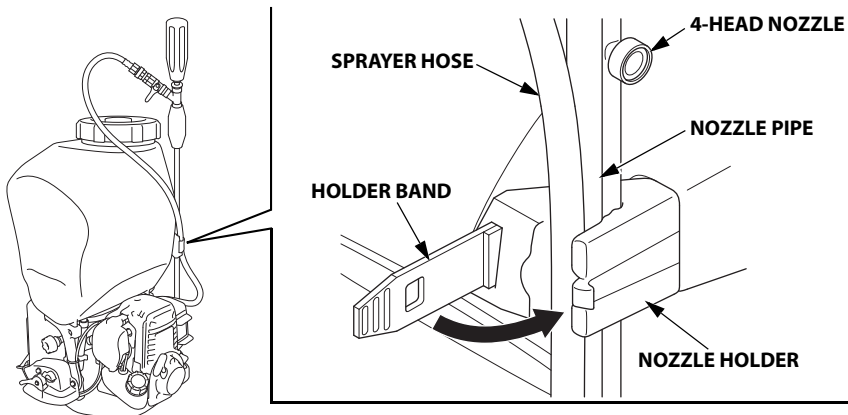
- When you turn the pressure dial clockwise (HIGH), the spraying pressure and amount will increase.
- When you turn the pressure dial counterclockwise (LOW), the spraying pressure and amount will decrease.



Nozzle holder

The 4-head nozzle, nozzle pipe, and sprayer hose can be fixed in place with the nozzle holder using the nozzle band.

If the holder band breaks, replace it with a new piece.



Before operation, assemble the nozzle and sprayer hose, then connect the sprayer hose into the pump chamber.

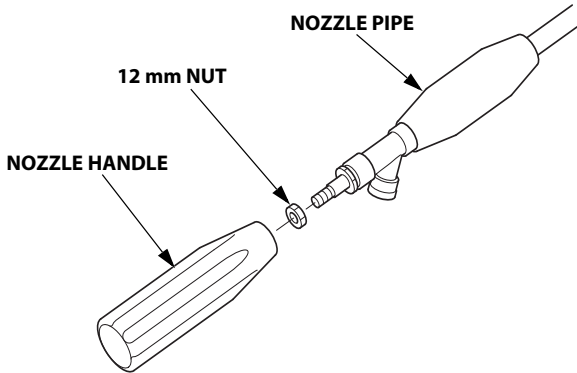
1. Assemble the nozzle and sprayer hose.

For more information about the nozzle and head type variations, see page 15.

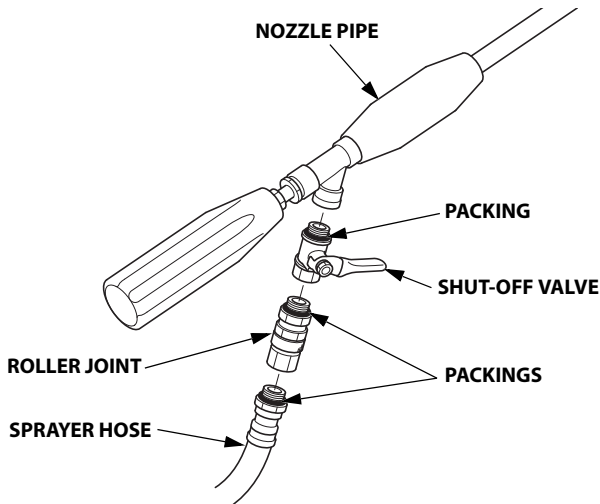
Long distance type:

Be sure to install packings and connect each part securely.

- a. Install the 12 mm nut to the nozzle pipe.
- b. Connect the nozzle handle into the nozzle pipe.



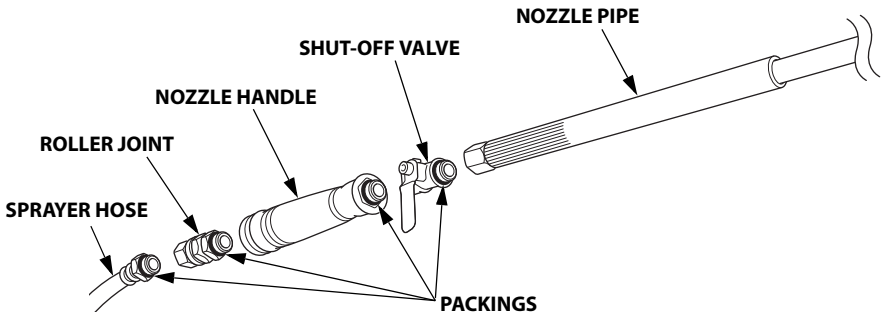
- c. Connect the sprayer hose into the roller joint.
- d. Connect the roller joint into the shut-off valve.
- e. Connect the shut-off valve into the nozzle pipe.



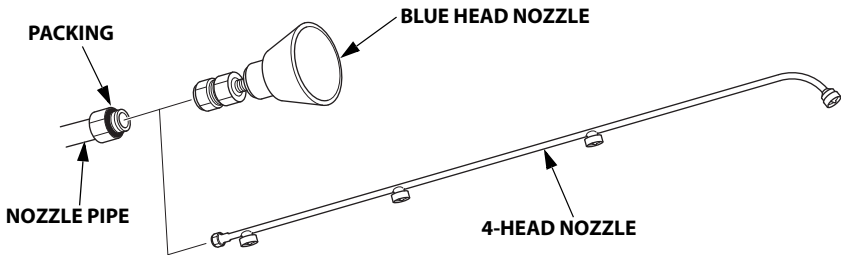
Blue head / 4-head types:

Be sure to install packings and connect each part securely.

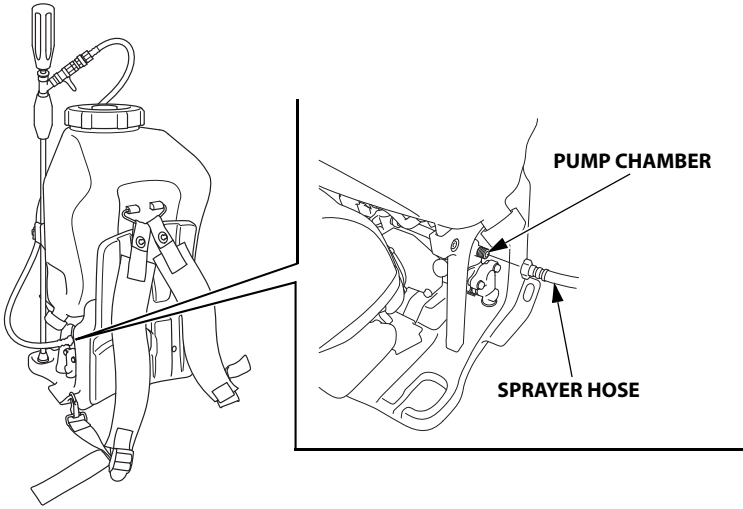
- a. Connect the sprayer hose into the roller joint.
- b. Connect the roller joint into the nozzle handle.
- c. Connect the nozzle handle into the shut-off valve.
- d. Connect the shut-off valve into the nozzle pipe.



- e. Connect the nozzle pipe into the nozzle.

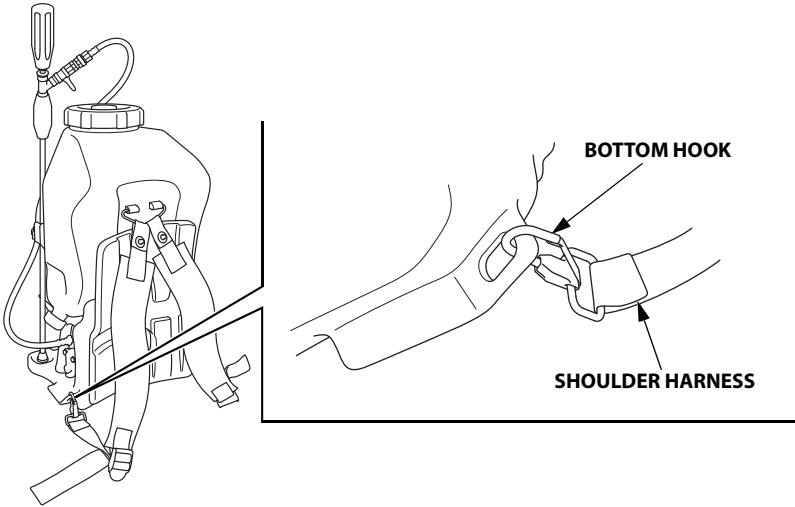


2. After assembling the nozzle and sprayer hose, connect the sprayer hose into the pump chamber.



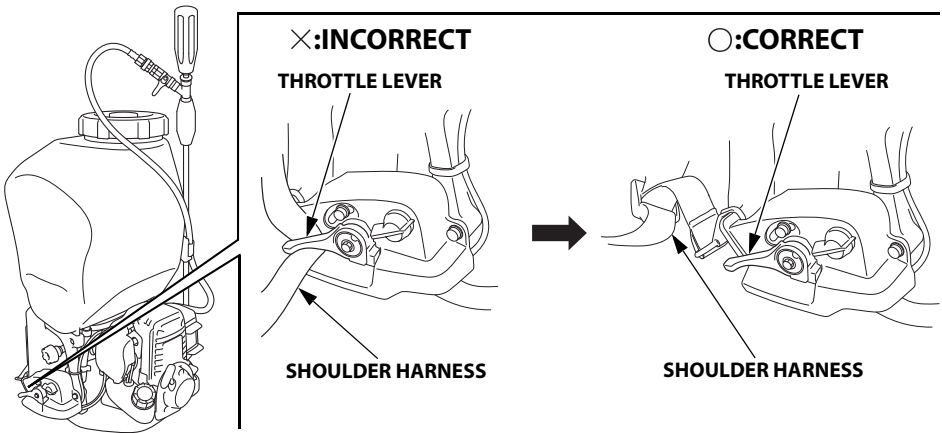
3. Check the shoulder harness.

Make sure that the bottom hook of the shoulder harness is connected.



CAUTION:

When you put the backpack sprayer on your back, make sure that the shoulder harness is not entangled with the throttle lever.



6. PRE-OPERATION CHECK

For safe and efficient spraying, always make a pre-operation inspection before operating:

▲WARNING

Before performing a pre-operation inspection, place the backpack sprayer on a level surface, stop the engine and make sure that the engine switch is in the OFF position to be certain the engine will not start accidentally.

Before each use, look around and underneath the engine for signs of oil or gasoline leaks.

1. Check the engine oil level.

Every 10 hours, check the engine oil level and replenish oil up to the upper limit if the engine is operated for long time continuously.

CAUTION:

Engine oil is a major factor affecting engine performance and service life. Nondetergent or vegetable oils are not recommended.

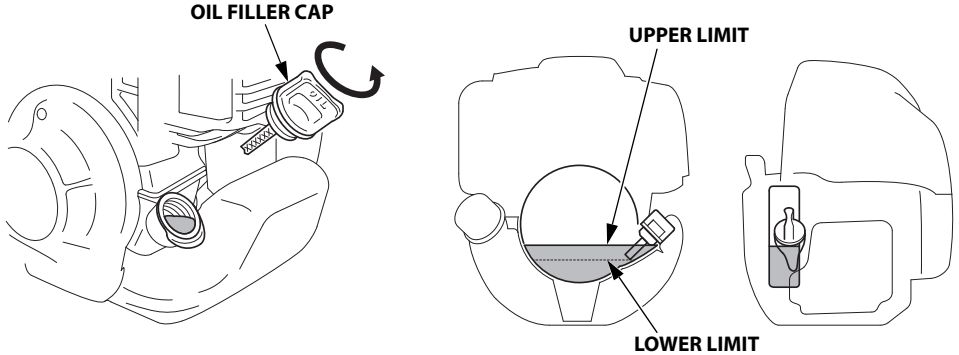
Check the engine oil level with the engine stopped and in a level position.

- a. Remove the oil filler cap.
- b. Check the oil level. If it is below the upper limit, fill with the recommended oil (see page 28) to the upper limit.
- c. Reinstall the oil filler cap securely.

Add the engine oil slowly to avoid overflowing, as the engine oil tank capacity is small.

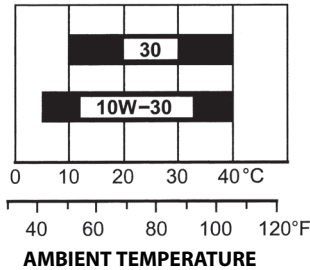
CAUTION:

- **Running the engine with insufficient oil can cause serious engine damage.**
- **Be sure to check the engine on a level surface with the engine stopped.**



Recommended Oil

Use 4-stroke motor oil that meets or exceeds the requirements for API service classification SE or later (or equivalent). Always check the API service label on the oil container to be sure it includes the letters SE or later (or equivalent).



SAE 10W-30 is recommended for general use. Other viscosities shown in the chart may be used when the average temperature in your area is within the indicated range.

CAUTION:

Using nondetergent oil or 2-stroke engine oil could shorten the engine's service life.

2. Check the fuel level.

Use automotive unleaded gasoline with a Research Octane Number of 91 or higher (a Pump Octane Number of 86 or higher).

Never use gasoline that is stale, contaminated, or mixed with oil.

Avoid getting dirt or water in the fuel tank.

▲ WARNING

- **Gasoline is extremely flammable and is explosive under certain conditions.**
- **Refuel in a well-ventilated area with the engine stopped. Do not smoke or allow flames or sparks in the area where the engine is refueled or where gasoline is stored.**
- **Do not overfill the fuel tank (there should be no fuel in the filler neck). After refueling, make sure the tank cap is closed properly and securely.**
- **Be careful not to spill fuel when refueling. Spilled fuel or fuel vapor may ignite. If any fuel is spilled, make sure the area is dry before starting the engine.**
- **Avoid repeated or prolonged contact with skin or breathing of vapor. KEEP OUT OF REACH OF CHILDREN.**

CAUTION:

Gasoline substitutes are not recommended; they may be harmful to fuel system components.

NOTE:

Gasoline spoils very quickly depending on factors such as light exposure, temperature and time. In worst cases, gasoline can be contaminated within 30 days.

Using contaminated gasoline can seriously damage the engine (carburetor clogged, valve stuck).

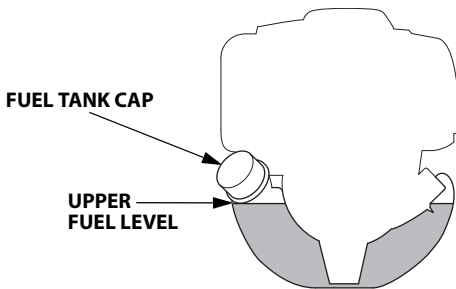
Such damage due to spoiled fuel is disallowed from coverage by the warranty. To avoid this please strictly follow these recommendations:

- Only use specified gasoline.
- Use fresh and clean gasoline.
- To slow deterioration, keep gasoline in a certified fuel container.
- If long storage (more than 30 days) is foreseen, drain fuel tank and carburetor (see page 64).

a. Place the backpack sprayer horizontally, and check from the outside of the tank to see if there is enough fuel.

b. If the fuel level is low, refuel the fuel tank. Do not overfill the upper fuel level.

Remove the fuel tank cap gradually to release a pressurized air in the fuel tank. Fuel in the fuel tank may spout out, if the fuel tank cap is removed quickly.



Gasoline containing alcohol

If you decide to use a gasoline containing alcohol (gasohol), be sure its octane rating is at least as high as that recommended by Honda.

There are two types of "gasohol": one containing ethanol, and the other containing methanol.

Do not use gasohol that contains more than 10% ethanol.

Do not use gasoline containing more than 5% methanol (methyl or wood alcohol) and that does not also contain co-solvents and corrosion inhibitors for methanol.

NOTE:

- Fuel system damage or engine performance problems resulting from the use of gasoline that contains more alcohol than recommended is not covered under the warranty.
- Before buying gasoline from an unfamiliar station, first determine if the gasoline contains alcohol, if it does, find out the type and percentage of alcohol used.

If you notice any undesirable operating symptoms while using a particular gasoline. Switch to a gasoline that you know contains less than the recommended amount of alcohol.

3. Check the air cleaner element.

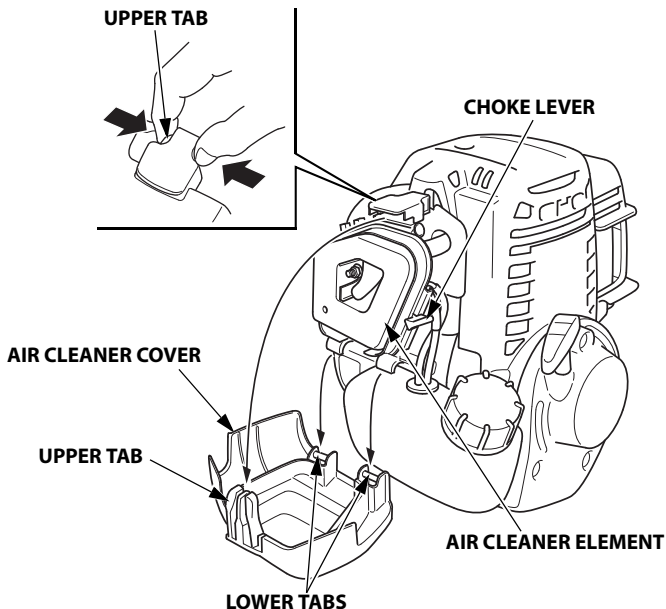
▲WARNING

Never use gasoline or low flash point solvents for cleaning the air cleaner element. A fire or explosion could result.

CAUTION:

Never run the engine without the air cleaner. Rapid engine wear will result from contaminants, such as dust and dirt, being drawn through the carburetor, into the engine.

- a. Move the choke lever to the CLOSED position (see page 20).
- b. Remove the air cleaner cover by unhooking the upper tab on the top of the cover and its two lower tabs.
- c. Check the air cleaner element to be sure it is clean and in good condition. If the element is dirty, clean it (see page 53). Replace the element if it is damaged.
- d. Reinstall the element and the cover by inserting the lower tabs, then insert the upper tab.

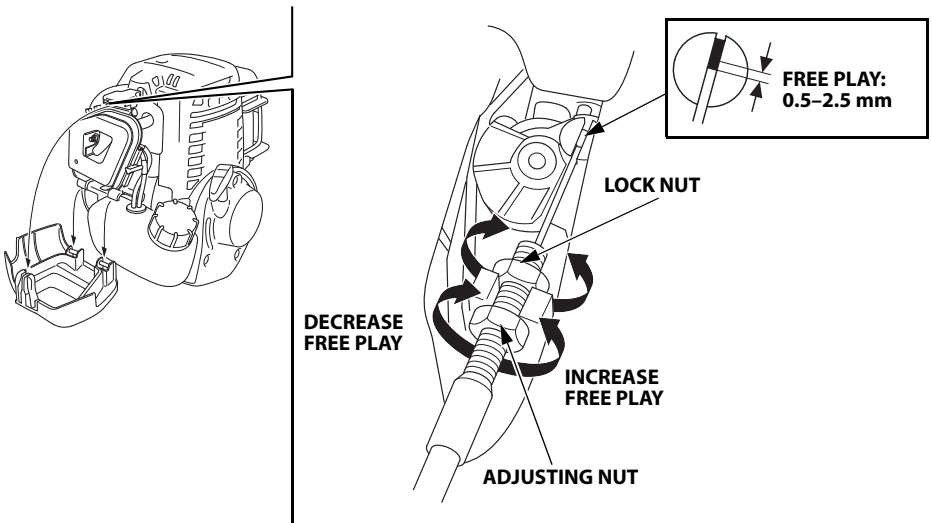


4. Check the throttle cable free play.

- a. Remove the air cleaner cover (see page 31).
- b. Check the throttle cable free play at the tip of the cable by pulling and releasing the throttle lever a few times.

Free play: 0.5–2.5 mm

If the free play is incorrect, loosen the lock nut and turn the adjusting nut in or out as required to obtain the correct free play.

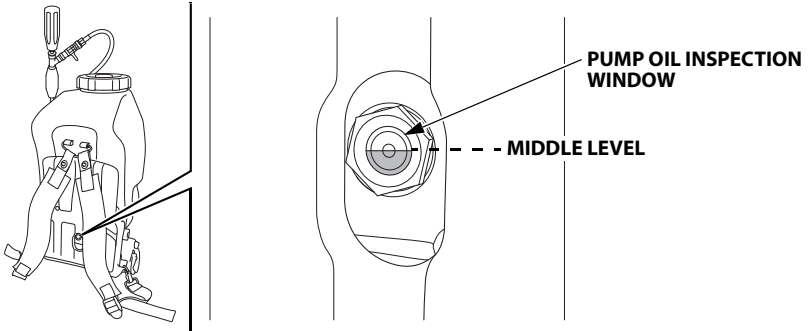


- c. Tighten the lock nut.
- d. Check the throttle lever operates smoothly.
- e. Reinstall the air cleaner cover (see page 31).

5. Check the pump oil.

Check if the pump oil is not contaminated and does not appear milky. Check that the oil level is not below from the middle level of the inspection window.

If you notice either condition, consult your servicing dealer.

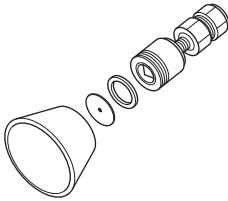


6. Check the nozzle.

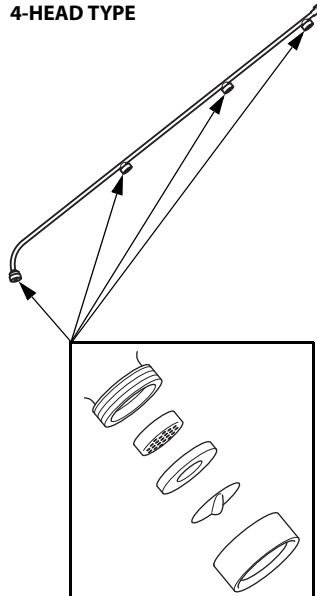
If the backpack sprayer sprays irregularly, disassemble the nozzle and maintain it.

- If there is any stain or clog, clean it off.
- If the nozzle is damaged, replace it.

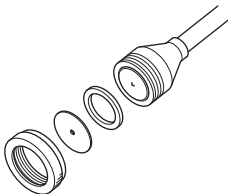
BLUE HEAD TYPE



4-HEAD TYPE



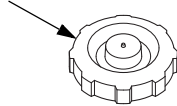
LONG DISTANCE TYPE



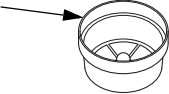
7. Check the chemical tank and tank filter.

- a. Remove the chemical tank cap and drain cap. Check the caps and packings for cracks or damage. If they are damaged, replace them.
- b. Remove the tank filter. Check the tank filter for clog or damage.
 - If it is damaged, replace it.
 - If it is dirty or clogged, clean it using water.

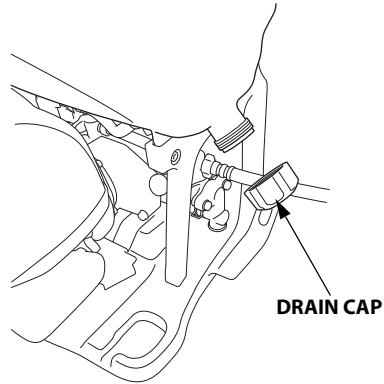
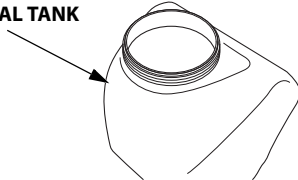
CHEMICAL TANK CAP



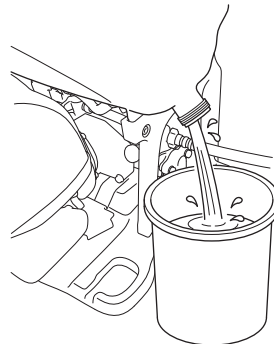
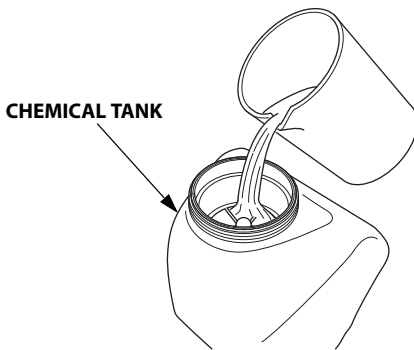
TANK FILTER



CHEMICAL TANK



- c. Check the chemical tank for cracks or damage.
 - If it is cracked or damaged, replace it.
 - If the inside of the chemical tank is dirty, clean it using water.

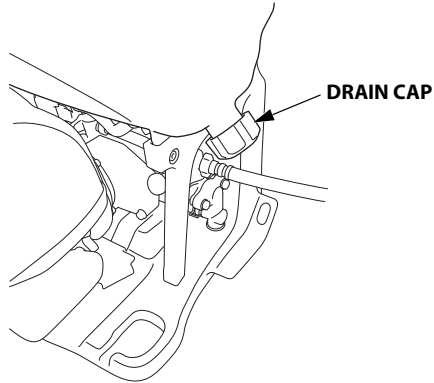


- d. Install the tank filter.
- e. Tighten the chemical tank cap and drain cap securely.

8. Fill agricultural chemicals into the tank.

Read the instructions of the chemical carefully. Always follow the directions and precautions preparation and handling of the chemical.

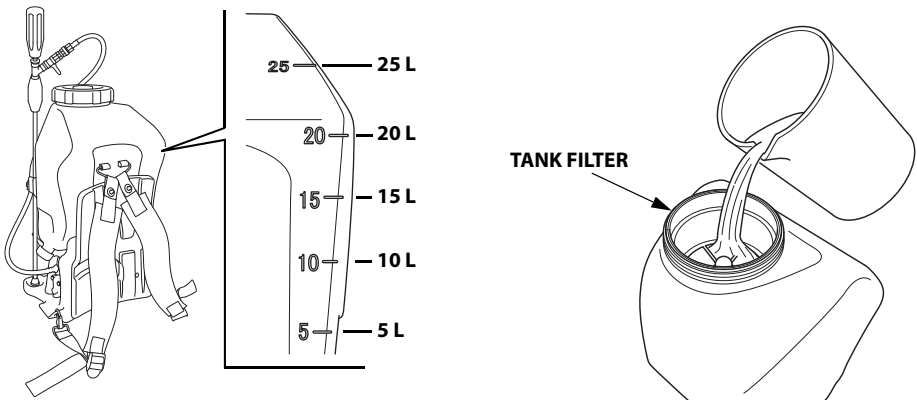
Make sure that the drain cap is securely tightened when filling agricultural chemicals into the tank.



On a level surface, fill agricultural chemical into the tank by using the tank filter.

NOTE:

When you fill agricultural chemicals into the tank, be sure to use the tank filter. Any foreign substance or dust will cause trouble to the pump and nozzle.

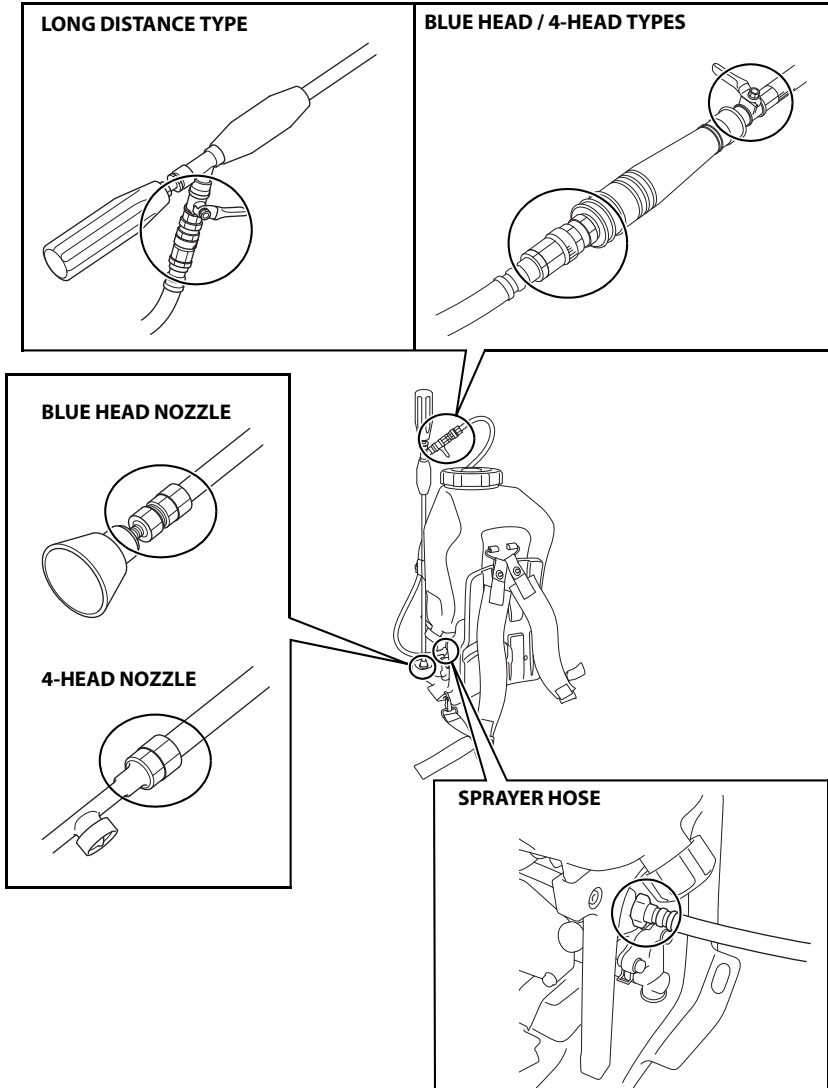


9. Check that all nuts, bolts, and screws are tightened.

Tighten the bolts and nuts properly and securely, if necessary.

10. Check leaking from the pump.

After starting the engine, look around each connection part for chemical leaks.



7. STARTING THE ENGINE

▲WARNING

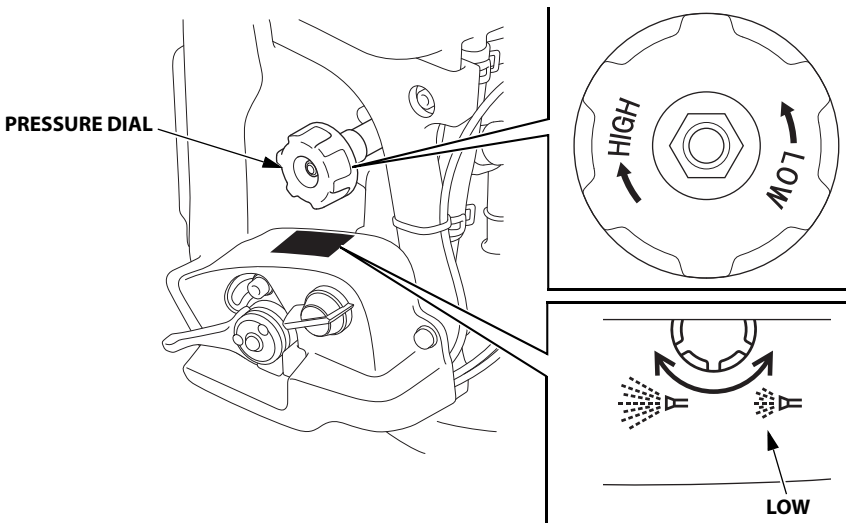
- Exhaust gas contains poisonous carbon monoxide. Never run the engine in an enclosed area. Be sure to provide adequate ventilation.
- Start the engine in a place away from the people, pets, and surrounding buildings. Be sure there are no obstacles in the working area.

NOTE:

Do not operate the backpack sprayer without sufficient amount of chemicals in the chemical tank.

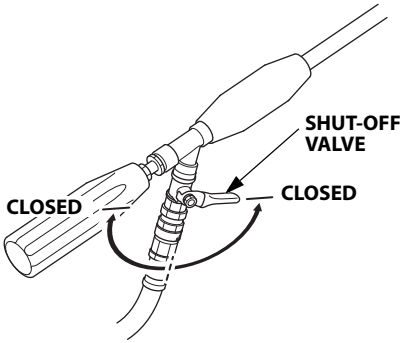
Fill 1 Liter or more chemicals into the chemical tank (see page 35).

- To prevent the use of the backpack sprayer without sufficient amount of chemicals in the tank, as soon as the nozzle has stopped spraying chemicals, stop the engine.
 - If the amount of chemicals in the chemical tank becomes 1 Liter or less, the pump sucks air, and will prevent spraying chemical.
 - If you continue to operate the backpack sprayer without sufficient amount of chemicals, the pump may be damaged.
1. Turn the pressure dial counterclockwise (LOW) till it stops and set it to totally-closed state.

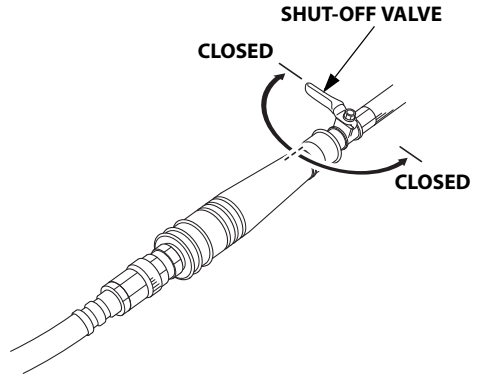


2. Turn the shut-off valve to the CLOSED position.

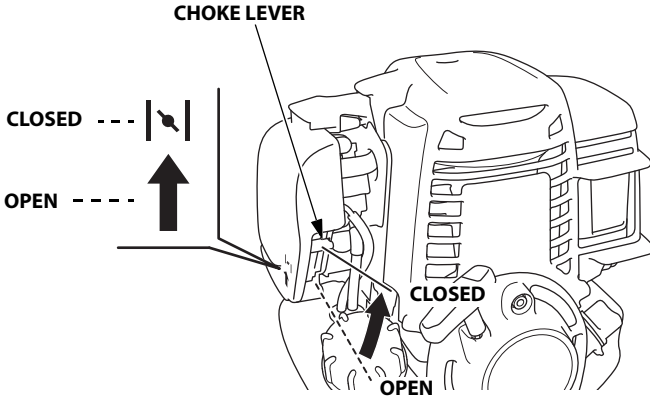
LONG DISTANCE TYPE



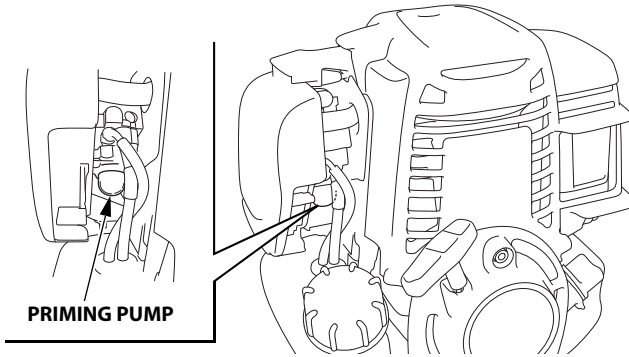
BLUE HEAD / 4-HEAD TYPES



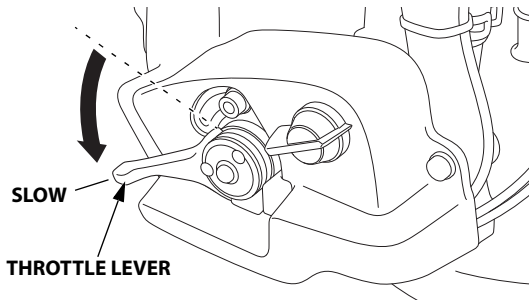
3. To start a cold engine, move the choke lever to the CLOSED position.
To restart a warm engine, leave the choke lever in the OPEN position.



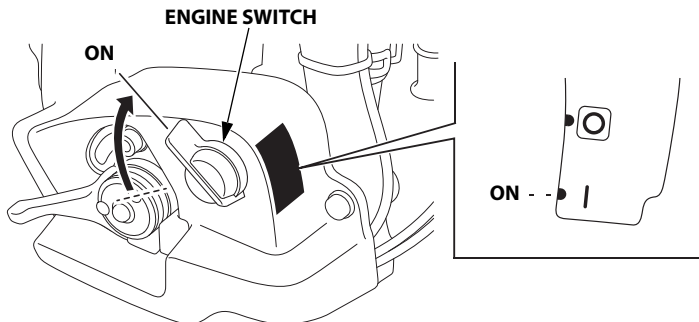
-
4. Press the priming pump several times until the priming pump is filled with fuel.
Even if the priming pump is pressed too many times, the extra fuel will return to the fuel tank.
If the priming pump is not pressed enough, the engine may not start.



5. Make sure that the throttle lever is in the SLOW position.



6. Turn the engine switch to the ON position.



7. Hold the engine top cover securely and pull the starter grip lightly until you feel resistance, then pull it briskly in the direction of the arrow as shown below.

Return the starter grip gently.

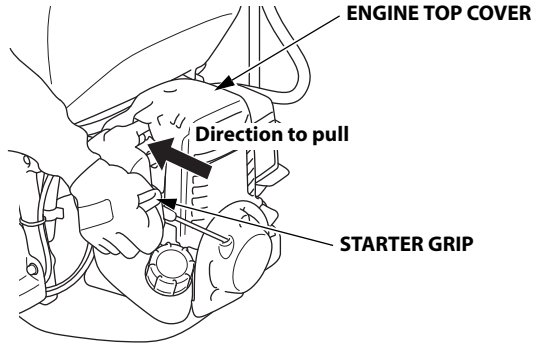
- Be sure that the people and pets are away from the backpack sprayer especially behind you, before pulling the starter grip.

CAUTION:

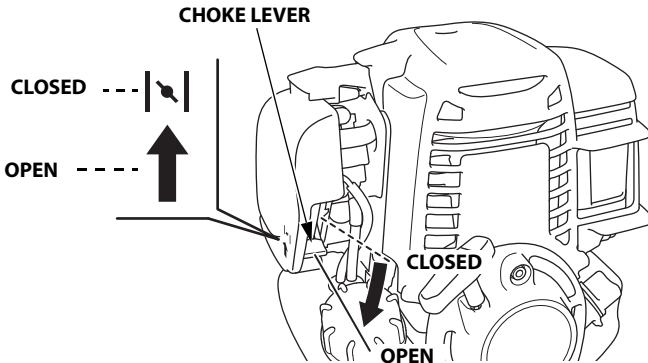
Do not allow the starter grip to snap back against the engine. Return it gently to prevent damage to the starter.

NOTE:

Always pull the starter grip briskly. If not pulled briskly, sparks may fail to jump across the spark plug electrodes, resulting in failure to start the engine.



8. If the choke lever has been moved to the CLOSED position to start the engine, gradually move it to the OPEN position as the engine warms up.



Hot Restart

If the engine is operated at higher ambient temperatures then turned off and allowed to sit for a short time, it may not restart on the first pull.

If necessary, use for following procedure:

IMPORTANT SAFETY PRECAUTION

Turn the engine switch to the OFF position before performing the following procedure. This will prevent the engine from starting and running at maximum speed when the throttle is in the full throttle position. If the engine starts, with the throttle in the full throttle position, agricultural chemicals may splash on you if the shut-off valve is in the "OPEN" position. This may result in personal injury.

1. Turn the engine switch to the OFF position.
2. Move the choke lever to the OPEN position.
3. Move the throttle lever in the full throttle position (FAST).
4. Pull the starter grip 3 to 5 times.
5. Follow the STARTING THE ENGINE procedure on page 37 and start the engine with the choke lever in the OPEN position.

• High altitude operation

At high altitude, the standard carburetor air-fuel mixture will be excessively rich. Performance will decrease, and fuel consumption will increase.

High altitude performance can be improved by specific modifications to the carburetor. If you always operate the backpack sprayer at altitudes higher than 610 m above sea level, have your authorized Honda dealer perform these carburetor modifications.

Even with suitable carburetor jetting, engine horsepower will decrease approximately 3.5% for each 300 m increase in altitude. The effect of altitude on horsepower will be greater than this if no carburetor modification is made.

CAUTION:

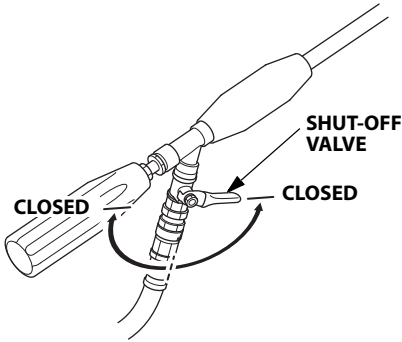
Operation of the backpack sprayer at an altitude lower than the carburetor is jetted for may result in reduced performance, overheating, and serious engine damage caused by an excessively lean air/fuel mixture.

8. STOPPING THE ENGINE

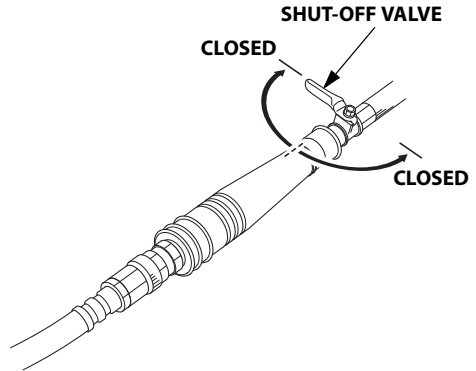
To stop the engine in an emergency, simply turn the engine switch to the OFF position. Under normal conditions, use the following procedure.

1. Turn the shut-off valve to the CLOSED position.

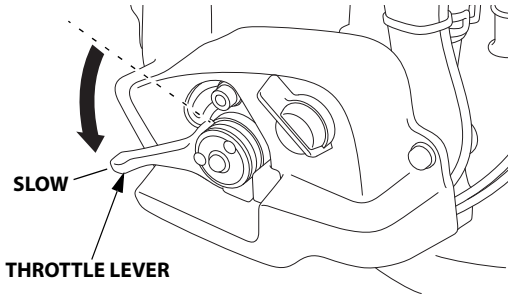
LONG DISTANCE TYPE



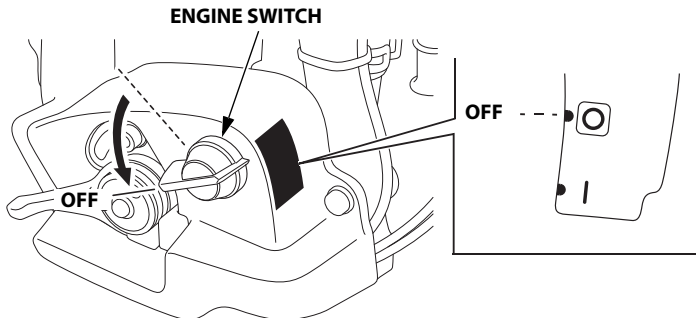
BLUE HEAD / 4-HEAD TYPES



2. Move the throttle lever to the SLOW position.



3. Turn the engine switch to the OFF position.



9. OPERATION

Read and understand the safety instructions on pages 3 to 12 before operating the backpack sprayer.

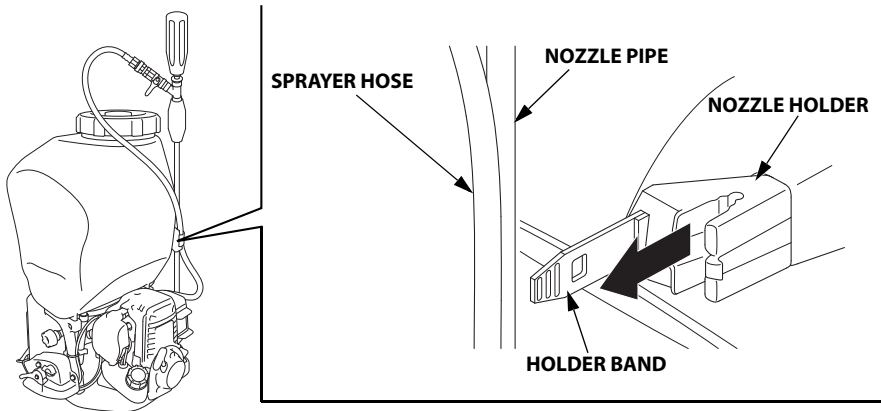
If you notice any abnormal sound, smell, vibration or other unusual signs, stop the engine immediately and consult your authorized Honda dealer.

Before operation

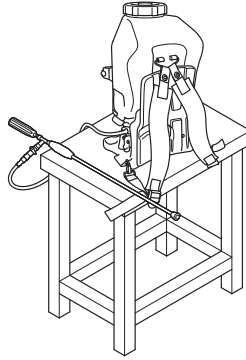
- Fill 1 Liter or more agricultural chemicals into the chemical tank while keeping the chemical tank in a level position (see page 35).
- Make sure that the shut-off valve is to the CLOSED position (see page 21).
- Make sure that the throttle lever is in the SLOW position (see page 19).
- Make sure that the pressure dial has been turned counterclockwise (LOW) till it stops and is set to the totally-CLOSED position (see page 22).

Operation

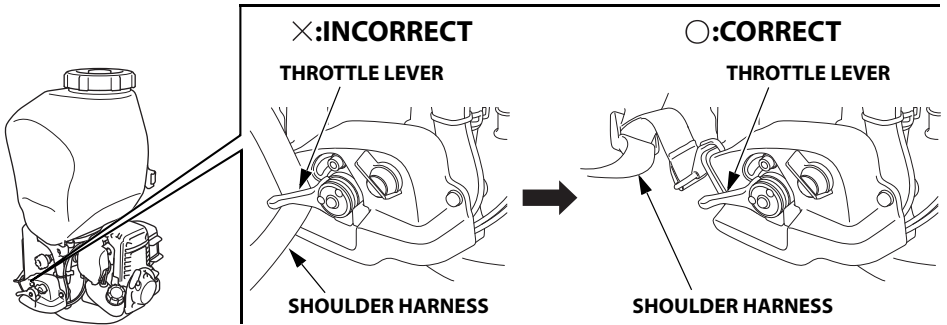
1. Start the engine according to the engine start procedure (see page 37).
2. Remove the holder band from the nozzle holder.
3. Remove the sprayer hose and the nozzle pipe from the nozzle holder.



4. Put the backpack sprayer on a flat table.



5. Make sure that the shoulder harness is not entangled with the throttle lever.



Then put the backpack sprayer on your back.

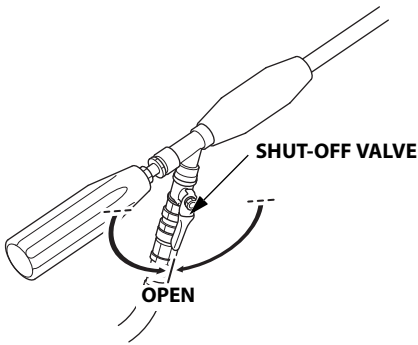
- Put the harness on your shoulders to carry the backpack sprayer.
- Adjust the shoulder harness length.

SHOULDER HARNESS

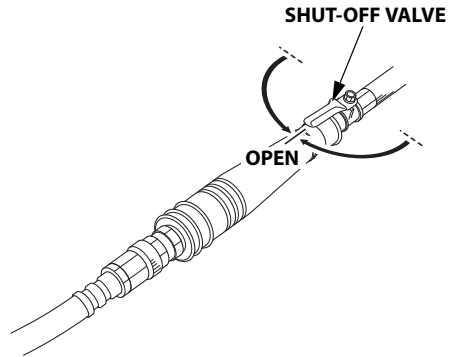


6. Turn the shut-off valve to the OPEN position.

LONG DISTANCE TYPE

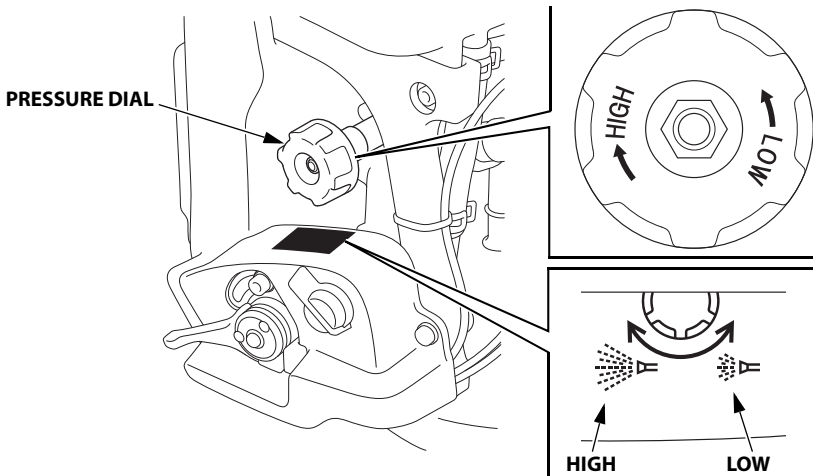


BLUE HEAD / 4-HEAD TYPES



7. Turn the pressure dial towards clockwise (HIGH) to make the spraying pressure suited for the operating conditions.

- When you turn the pressure dial clockwise (HIGH), the spraying pressure and amount will increase.
- When you turn the pressure dial counterclockwise (LOW), the spraying pressure and amount will decrease.



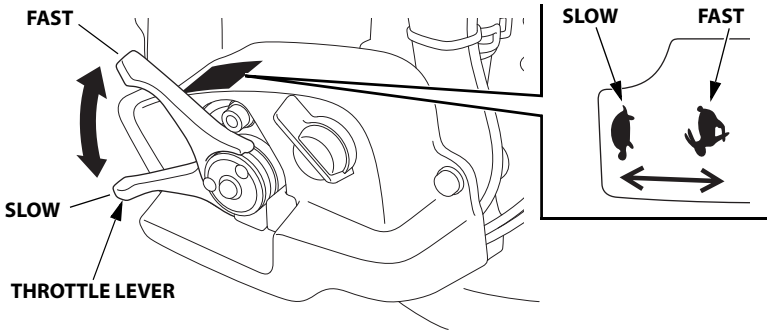
-
8. Move the throttle lever at the desired position while observing the spray condition.

NOTE:

The centrifugal clutch is used in this backpack sprayer.

When the engine is rotating in low speed range, the clutch is slipping and the pump does not operate.

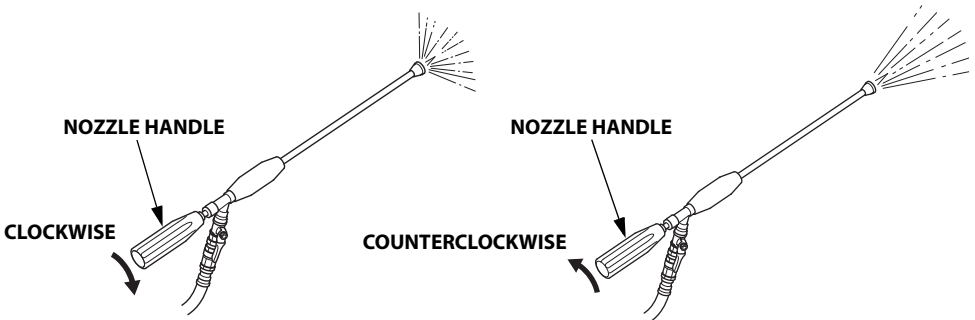
Do not use the backpack sprayer in this rotation range that makes the clutch slip. Otherwise, the clutch may be damaged.



Long distance nozzle:

Adjust the spray angle and distance by turning the nozzle handle while observing the spray condition.

- When you turn the nozzle handle clockwise, spray angle will spread and distance will shorten.
- When you turn the nozzle handle counterclockwise, spray angle will narrow and distance will increase.



During operation

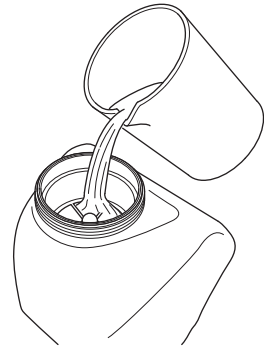
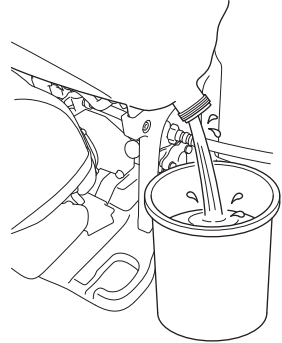
- Do not point the nozzle at others.
- Pay attention to the rest of chemicals in the tank.
To prevent the use of the backpack sprayer without sufficient amount of chemicals in the tank, as soon as the nozzle has stopped spraying chemicals, stop the engine, or the pump may be damaged.
Fill 1 Liter or more chemicals into the chemical tank (see page 35).



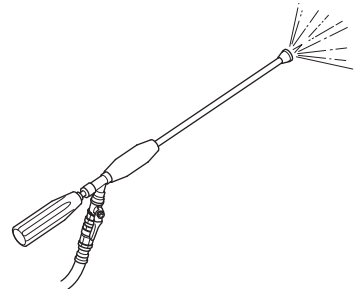
After operation

When handling agricultural chemicals, follow the directions of the manufacturer or distributor. Also, follow the laws and regulations.

1. Stop the engine (see page 42).
2. After the engine cooled, remove the drain cap to drain the agricultural chemicals from the chemical tank.
3. Install the drain cap and remove the chemical tank cap to pour clean water into the tank to rinse its inside.



4. Start the engine again (see page 37) and move the throttle lever between the FAST position and the SLOW position (see page 46). Move the shut-off valve a few times. Spray a few minutes. Remove the drain cap again to drain the water from the tank.



5. Set the nozzle pipe and sprayer hose into the nozzle holder, and secure them by the holder band (see page 22).

10. MAINTENANCE

Periodic inspection and adjustment of the backpack sprayer are essential if high level performance is to be maintained. Regular maintenance will also help to extend service life. The required service intervals and the kind of maintenance to be performed are described in the table in the following page.

▲ WARNING

- **Before performing any maintenance, place the backpack sprayer on a level surface, stop the engine and make sure that the engine switch is in the OFF position to be certain the engine will not start accidentally.**
- **The backpack sprayer should be serviced by an authorized Honda dealer unless the owner has proper tools and service data and feels he or she is mechanically qualified.**

CAUTION:

Use only genuine Honda parts or their equivalent for maintenance or repair. Replacement parts which are not of equivalent quality may damage the backpack sprayer.

Maintenance schedule

REGULAR SERVICE PERIOD (3) Perform at every indicated month or operating hour interval, whichever comes first.		Each use	First month or 10 hrs.	Every 3 months or 25 hrs.	Every 6 months or 50 hrs.	Every year or 100 hrs.	Every 2 years or 300 hrs.	Refer to page
ITEM								
Engine oil	Check level	o						27
	Change		o		o			52
Air cleaner	Check	o						31
	Clean			o (1)				53
Spark plug	Check-adjust					o		55
	Replace						o	55
Engine cooling fins	Clean				o			61
Nuts, bolts, fasteners	Check (Retighten if necessary)	o						36
Throttle cable	Check-adjust	o						32
Clutch shoe and drum	Check				o (2)			—
Idle speed	Check-adjust					o (2)		—
Valve clearance	Check-adjust					o (2)		—
Combustion chamber	Clean		After every 300 hrs. (2)					—
Fuel filter	Clean					o		58
Fuel tank	Clean					o		58
Fuel tube	Check		Every 2 years. (Replace if necessary) (2)					—
Oil tube	Check		Every 2 years. (Replace if necessary) (2)					—
Seal rubber (Pump)	Check (Replace if necessary)				o (2)			—
Leakage from pump	Check	o (4)						36
Chemical tank and filter	Check-Clean	o						34
Pump oil	Check level	o						33
	Change		o (2)			o (2)		—
Hose, nozzle, fasteners	Check (Retighten if necessary)	o						36
Nozzle	Clean	o						33
Pump grease (Grease cup)	Supply to pump		Every 2 hrs. (5)					59
	Refill		When Grease cup has turned till the end. (6)					60

(1) Service more frequently when used in dusty areas.

(2) These items should be serviced by your servicing dealer, unless you have the proper tools and are mechanically proficient. Refer to the Honda shop manual for service procedures.

(3) For commercial use, log hours of operation to determine proper maintenance intervals.

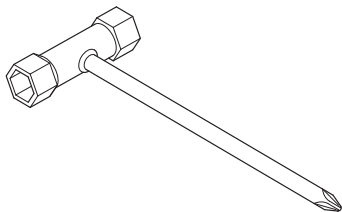
(4) After starting the engine, check for chemical leakage from the pump.

(5) Turn both Grease cups, fully two turns, after each 2 hours of operation.

(6) Refill both Grease cups with pump grease, when the Grease cup has been turned till the end.

Tool kit

The tools supplied are necessary for performing some periodic maintenance, simple adjustments and repairs.



16 × 17 mm BOX WRENCH



4 mm HEX. WRENCH

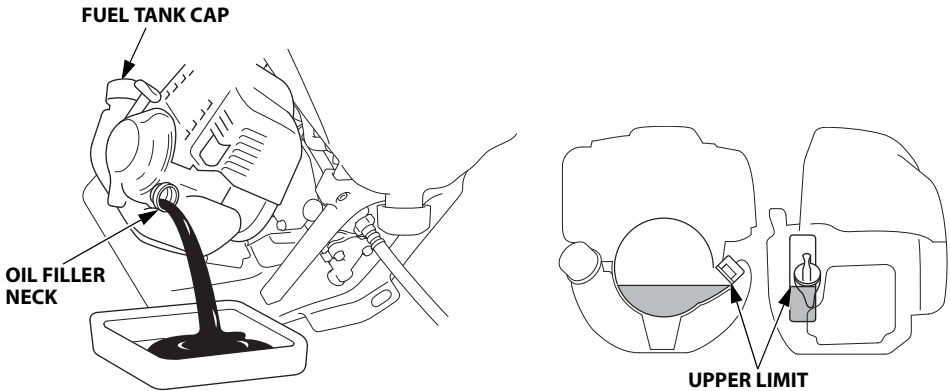
Changing oil

Drain the oil while the engine is still warm to assure rapid and complete draining.

Place the backpack sprayer on a firm level surface with the engine stopped.

1. Check the fuel tank cap is tightened securely.
2. Remove the oil filler cap and drain the oil into the oil container by inclining the engine toward the oil filler neck.
3. Refill to the upper limit with the recommended oil (see page 28). Add the engine oil slowly to avoid overflowing, as the engine oil tank capacity is small.

OIL CAPACITY: 0.10 L



4. Install the oil filler cap securely.
If any oil is spilled, make sure to wipe it.

Wash your hands with soap and water after handling used oil.

NOTE:

Please dispose of used motor oil in a manner that is compatible with the environment. We suggest you to take it in a sealed container to your local service station for reclamation. Do not throw it in the trash or pour it on the ground, or down a drain.

Air cleaner service

A dirty air cleaner will restrict air flow to the carburetor. To prevent carburetor malfunction, service the air cleaner regularly. Service more frequently when operating the backpack sprayer in extremely dusty areas.

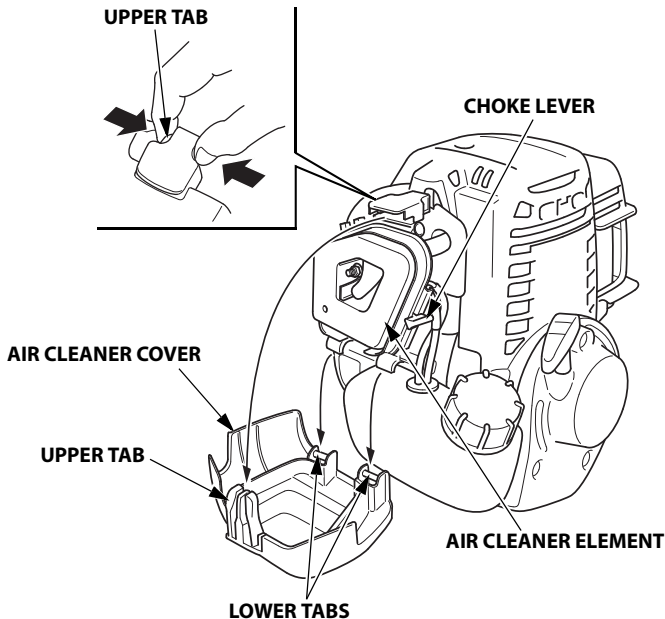
▲WARNING

Never use gasoline or low flash point solvents for cleaning the air cleaner element. A fire or explosion could result.

CAUTION:

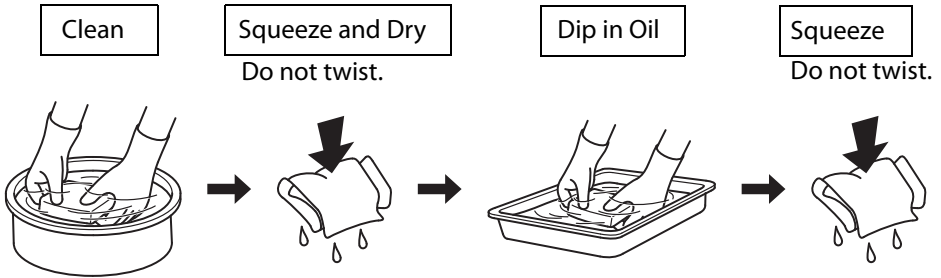
Never run the engine without the air cleaner. Rapid engine wear will result.

1. Move the choke lever to the CLOSED position (see page 38).
2. Remove the air cleaner cover by unhooking the upper tab on the top of the cover and its two lower tabs.
3. Remove the air cleaner element.



4. Wash the element in a nonflammable or high flash point solvent and dry it thoroughly.

Soak the element in clean engine oil and squeeze out the excess oil.



5. Wipe dirt from the air cleaner body and cover, using a moist rag. Be careful to prevent dirt from entering the carburetor.

6. Reinstall the air cleaner element.

7. Reinstall the air cleaner cover by inserting the lower tabs, then insert the upper tab.

Spark plug service

Recommended spark plug: CMR5H (NGK)

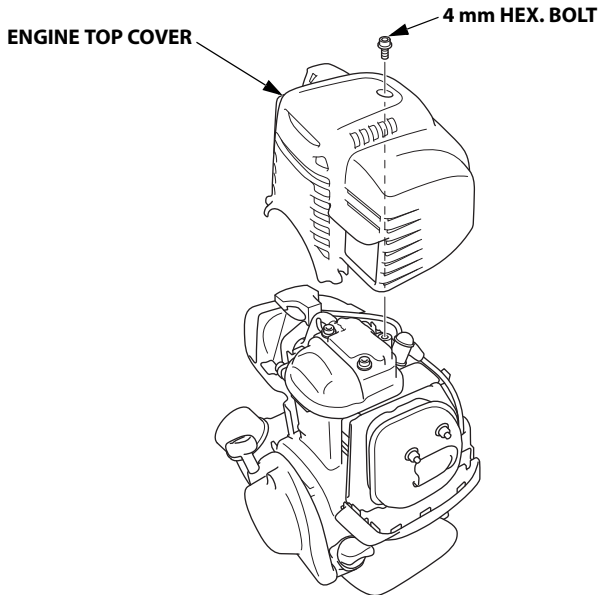
CAUTION:

Never use a spark plug of incorrect heat range.

To ensure proper engine operation, the spark plug must be properly gapped and free of deposits.

1. Loosen the 4 mm hex. bolt, then remove the engine top cover.

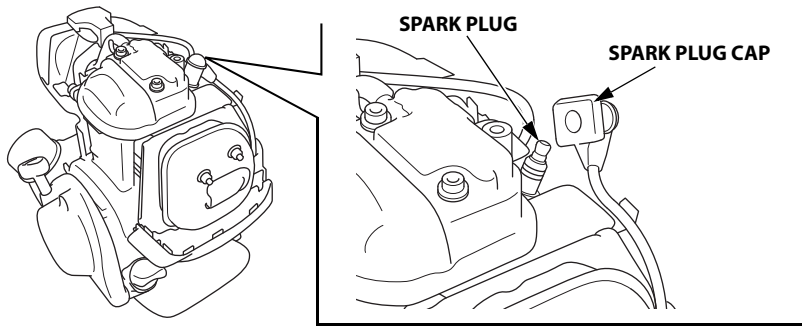
Do not pull the starter grip and start the engine without the engine top cover. There are rotating part and hot parts under the cover.



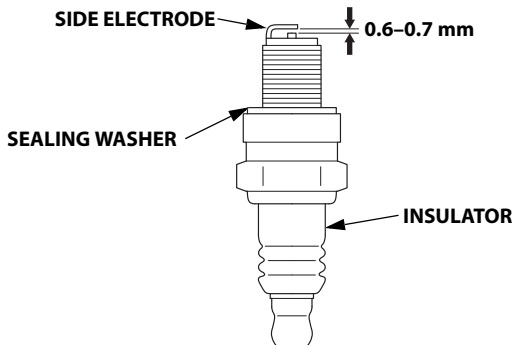
-
2. Remove the spark plug cap. Remove any dirt from around the spark plug area.
 3. Use the 16 × 17 mm box wrench to remove the spark plug.

▲WARNING

If the engine has been running, the muffler will be very hot. Be careful not to touch the muffler.



4. Visually inspect the spark plug. Discard the spark plug if there is apparent wear, or if the insulator is cracked or chipped. Clean the spark plug with a wire brush if it is to be reused.
5. Measure the plug gap with a feeler gauge. Correct as necessary by bending the side electrode.
The gap should be:
0.6–0.7 mm



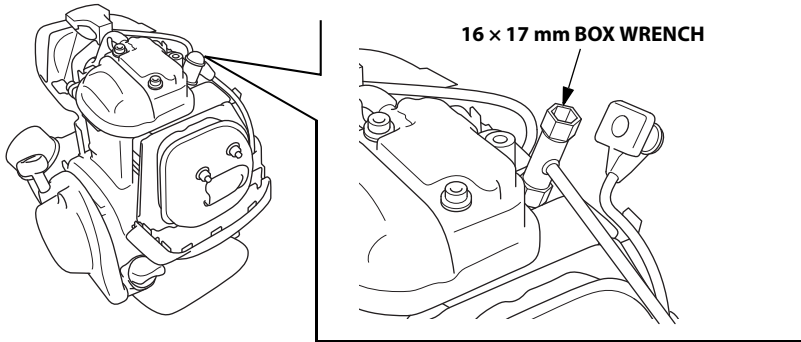
6. Check that the sealing washer is in good condition, and thread the spark plug in by hand to prevent cross-threading.

-
7. After the spark plug is seated, tighten with the 16 × 17 mm box wrench to compress the washer.

NOTE:

When installing a new spark plug, tighten 1/2 turn after the spark plug seats to compress the washer. When reinstalling a used spark plug, tighten 1/8–1/4 turn after the spark plug seats to compress the washer.

TORQUE: 11.8 N·m (1.2 kgf·m, 8.7 lbf·ft)



8. Attach the spark plug cap.
9. Install the engine top cover, and tighten the 4 mm hex. bolt securely.

CAUTION:

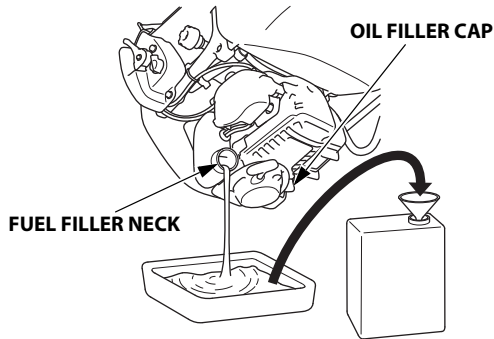
The spark plug must be securely tightened. An improperly tightened spark plug can become very hot and may damage the engine.

Fuel filter and fuel tank cleaning

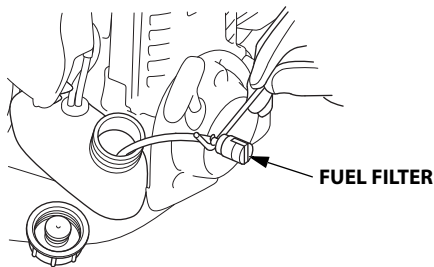
▲WARNING

Gasoline is extremely flammable and is explosive under certain conditions. Do not smoke or allow flames or sparks in the area.

1. Check the oil filler cap is tightened securely.
2. Remove the fuel tank cap and drain the fuel into the container by inclining the engine toward the fuel filler neck.



3. Pull out the fuel filter with the mechanic's wire from the fuel filler neck gently.

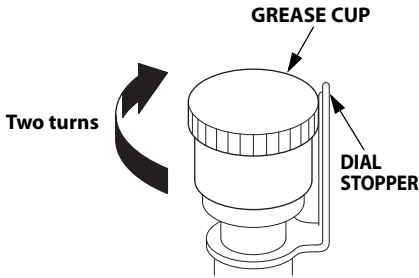


4. Check the fuel filter of its dirt. If the fuel filter is dirty, wash it gently with nonflammable or high flash point solvent. If the fuel filter is excessively dirty, replace it.
5. Remove water and dirt stood in the fuel tank by rinsing the inside of the fuel tank with nonflammable or high flash point solvent.
6. Return the fuel filter into the fuel tank and tighten the fuel tank cap securely.

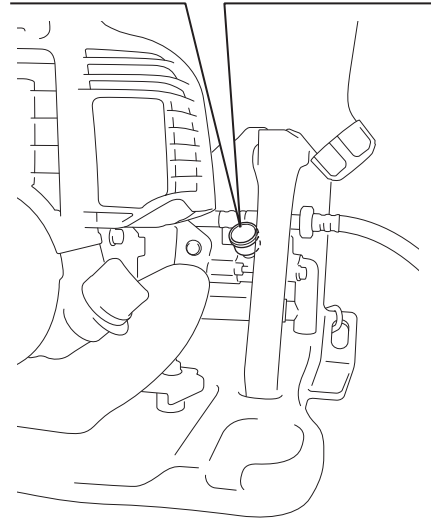
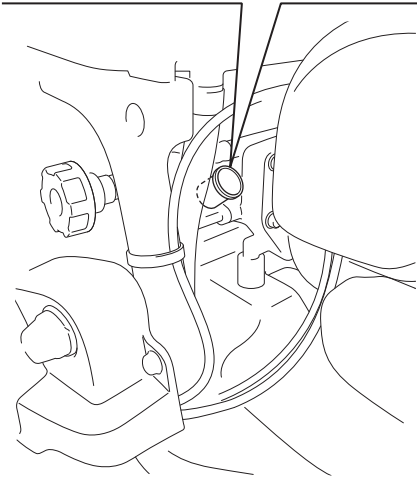
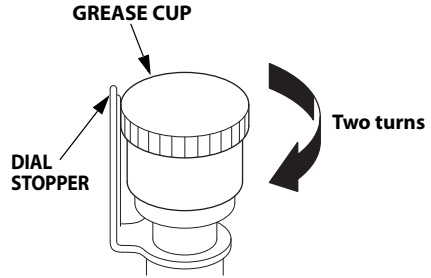
Supplying the pump grease to the pump

Every 2 hours, turn the Grease cup on the right and left side from the dial stopper clockwise by two turns so that the both dials have the same number of revolutions, and supply grease to the pump.

[LEFT SIDE]



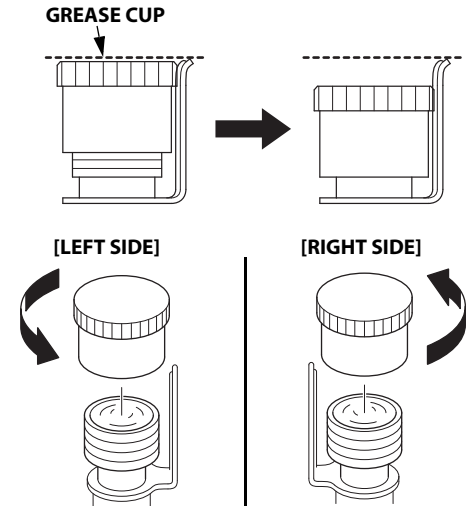
[RIGHT SIDE]



Refilling the pump grease to the Grease cup

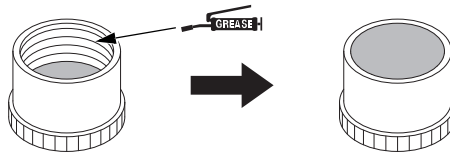
When the Grease cup has turned till the end, refill both Grease cups with pump grease.

1. Remove the Grease cup by turning counterclockwise.



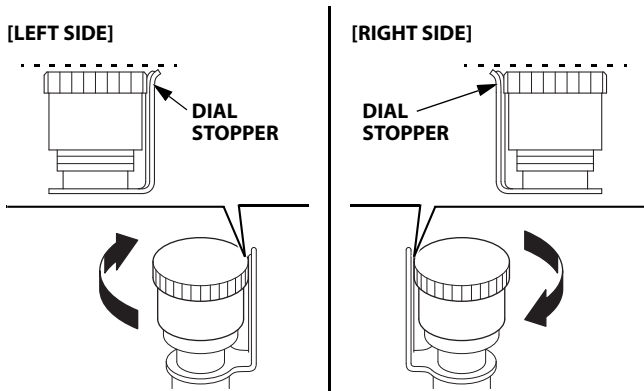
2. Refill the pump grease till the top of the Grease cup.

: Lithium based multi-purpose grease#3 or equivalent



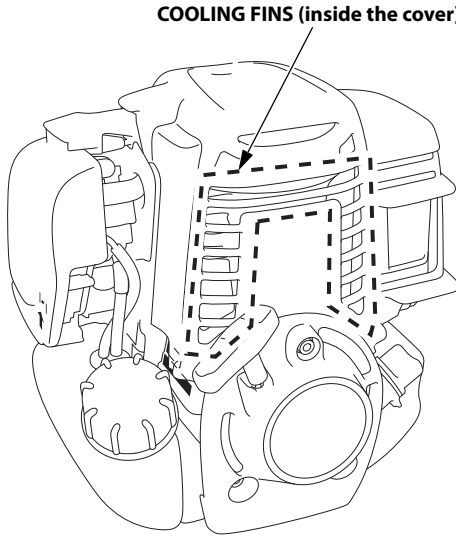
3. Install both Grease cups.

Tighten the Grease cup until the top surface of the Grease cup and top part of the dial stopper comes in same level.



Cooling fin service

Inspect the cooling fins visually through the cover. If there are dry grass, leaves and mud clogged, consult your authorized Honda dealer for cleaning it.



11. TRANSPORTING/STORAGE

Transporting

- If the backpack sprayer has been running, allow it to cool down before loading the backpack sprayer on the transport vehicle. A hot engine and exhaust system can burn you and can ignite some materials.
- Always turn the engine switch to the OFF position.
- Make sure the fuel tank cap is securely tightened.
- Keep the backpack sprayer level when transporting to reduce the possibility of fuel leakage.

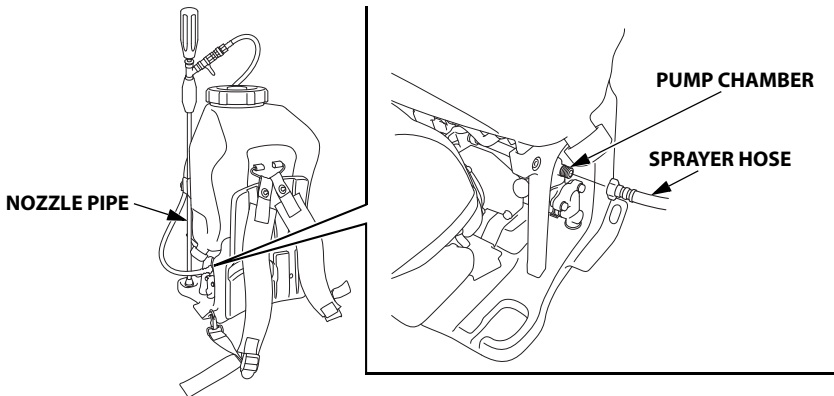
▲WARNING

- **To avoid severe burns or fire hazards, let the engine cool before transporting the backpack sprayer or storing it indoors.**
- **When transporting the backpack sprayer, tighten the fuel tank cap to prevent fuel spillage. Fuel vapor or spilled fuel may ignite.**
- Drain all chemicals from the tank.
- Fix the backpack sprayer securely in level to the transport vehicle.
- Do not drive or ride on a vehicle with the backpack sprayer carrying on your back. It might cause an unexpected accident.
- When transporting the backpack sprayer, attach nozzle pipe and sprayer hose to the nozzle holder.

Storage

Before storing the backpack sprayer for an extended period;

1. Follow the procedures of "After operation" (see page 48).
2. To prevent the water from freezing in winter, drain the water completely from pump chamber.
 - a. Disconnect the sprayer hose from pump chamber.
To prevent the nozzle pipe from being clogged, make sure that no dirt or dust is in the sprayer hose or the backpack sprayer after disconnecting the sprayer hose.



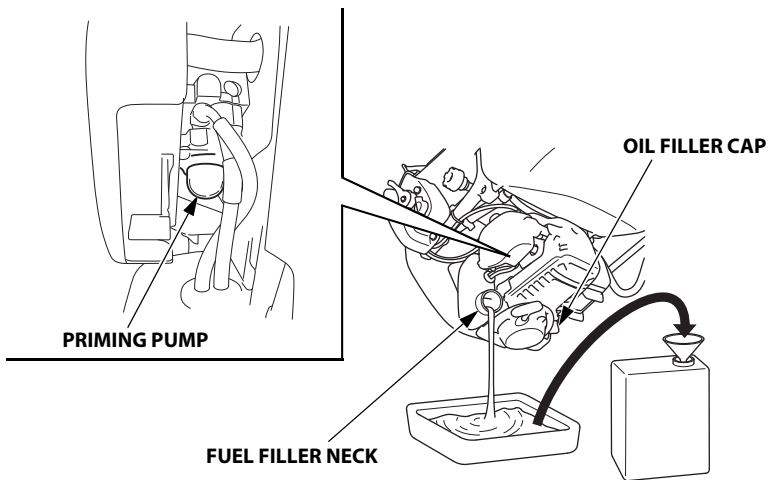
- b. Start the engine (see page 37).
- c. Move the throttle lever between the FAST position and the SLOW position (see page 46), and hold it there for ten seconds to drain the pump chamber completely.
- d. Stop the engine (see page 42).

3. Drain the fuel.

▲WARNING

Gasoline is extremely flammable and is explosive under certain conditions. Do not smoke or allow flames or sparks in the area.

- a. Check the oil filler cap is tightened securely.
- b. Remove the fuel tank cap and drain the fuel into the container by inclining the engine toward the fuel filler neck.



- c. Press the priming pump several times until all fuel has returned to the fuel tank.
 - d. Tilt the engine toward the fuel filler neck again to drain the fuel left in the fuel tank into the container.
 - e. Tighten the fuel tank cap securely after draining the fuel completely.
4. Change the engine oil (see page 52).
 5. Clean the air cleaner (see page 53).

-
6. Lubricate the cylinder.
 - a. Loosen the 4 mm hex. bolt, then remove the engine top cover (see page 55).
 - b. Remove the spark plug (see page 56).
 - c. Apply a couple of drops of clean engine oil into the cylinder.
 - d. Install the engine top cover temporarily.
 - e. Pull the starter grip several times to distribute the oil in the cylinder.
 - f. Remove the engine top cover, then reinstall the spark plug.
 - g. Install the engine top cover, and tighten the 4 mm hex. bolt securely.
 7. Pull the starter grip slowly until resistance is felt.
 8. Cover the engine to keep out dust.
 9. Store the backpack sprayer in a safe, locked place inaccessible to children or cattle, and free of dust and humidity away from sparks. Place a tarpaulin or plastic sheet over the machine during storage.

12. TROUBLESHOOTING

When the engine will not start:

1. Is the engine switch in the ON position?
2. Is there fuel in the fuel tank?
3. Is gasoline reaching the carburetor?
To check, press the priming pump several times.
4. Is the spark plug in good condition?
Remove and inspect the spark plug. Clean, readjust gap and dry the spark plug. Replace it if necessary.

If the engine still does not start, take the backpack sprayer to your servicing dealer.

When the backpack sprayer sprays irregularly:

CHEMICALS NOT SPRAYED

Check that the engine speed is not lowered (see page 46).

ATOMIZING PRESSURE NOT RAISED

1. Check the nozzle for clogging or signs of damage.
2. Disassemble and maintain the nozzle (see page 33).

If the backpack sprayer still does not operate, take the backpack sprayer to your servicing dealer.

13. SPECIFICATIONS

Frame

Model	WJR4025T		
Frame type	GCS	GCL	GCV
Power products description code	WAFT		
Length ^{*1}	400 mm		
Width ^{*1}	415 mm		
Height ^{*1}	695 mm		
Dry mass [weight] ^{*2}	12.5 kg		
Chemical tank capacity	25 L		

*1 Without hose and nozzle

*2 With pump oil

Pump

Model	WJR4025T
Pump type	Plunger
Drive system	Automatic centrifugal clutch
Pressure adjust system	Relief valve
Pressure	4.0 MPa (at 6,700 rpm)
Suction amount	8.0 L/min (at 6,700 rpm)

Engine

Model	GX35T
Engine type	4-stroke, overhead cam, single cylinder
Displacement	35.8 cm ³
Bore × Stroke	39.0 × 30.0 mm
Engine net power (in accordance with SAE J1349*)	1.0 kW (1.4 PS) /7,000 rpm
Engine max. net torque (in accordance with SAE J1349*)	1.6 N·m (0.16 kgf·m) /5,500 rpm
Cooling system	Forced air
Ignition system	Transistor magneto
Fuel tank capacity	0.63 L
Oil capacity	0.10 L
Spark plug	NGK: CMR5H

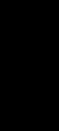
*The power rating of the engine indicated in this document is the net power output tested on a production engine for the engine model and measured in accordance with SAE J1349 at 7,000 rpm (Engine Net Power) and at 5,500 rpm (Engine Max. Net Torque). Mass production engines may vary from this value. Actual power output for the engine installed in the final machine will vary depending on numerous factors, including the operating speed of the engine in application, environmental conditions, maintenance, and other variables.

NOTE:

Specifications are subject to change without notice.

Honda WJR4025

MANUAL DEL PROPIETARIO



Muchísimas gracias por haber adquirido un pulverizador de mochila Honda.

Este manual trata de la operación y el mantenimiento del pulverizador de mochila Honda WJR4025.

Toda la información de esta publicación se basa en la más reciente información acerca del producto disponible en el momento de aprobarse su impresión.

Honda Motor Co., Ltd. se reserva el derecho a efectuar cambios en cualquier momento sin previo aviso y sin incurrir en ningún tipo de obligación.

No se permite la reproducción de ninguna parte de esta publicación sin permiso por escrito.

Este manual debe considerarse como una parte permanente del pulverizador de mochila y debe entregarse con el mismo en caso de reventa.

Ponga atención particularmente a las frases precedidas por las siguientes palabras:

▲ ADVERTENCIA Indica una posibilidad significativa de lesiones corporales graves o incluso fatales si no se observan las instrucciones.

ATENCIÓN: Indica una posibilidad de poder sufrir daños en la propiedad o averías en el equipo si no siguen las instrucciones.

NOTA: Ofrece útil información.

Si aconteciese algún problema, o si tuviese alguna pregunta acerca del pulverizador de mochila, consulte a su distribuidor autorizado de Honda.

▲ ADVERTENCIA
El pulverizador de mochila Honda está diseñado para proporcionar un servicio seguro y fiable si se opera de acuerdo con las instrucciones. Lea y comprenda el manual de instrucciones antes de operar el pulverizador de mochila. De no hacerlo así, pueden producirse daños personales o en el equipo.

Las ilustraciones incluidas en este manual se basan en: tipo GCS.

Eliminación

Para proteger el medio ambiente, no tire el producto, la batería, el aceite de motor, etc. usados en un lugar de recolección de la basura. Observe las leyes y regulaciones de su localidad o consulte a un concesionario Honda autorizado cuando deba tirar tales partes.

ÍNDICE

1. INSTRUCCIONES DE SEGURIDAD	3
2. UBICACIONES DE LAS ETIQUETAS DE SEGURIDAD	13
3. IDENTIFICACIÓN DE COMPONENTES	15
4. CONTROLES	19
5. PREPARACIÓN	23
6. VERIFICACIÓN PREVIA A LA OPERACIÓN	27
7. ARRANQUE DEL MOTOR	37
• Operación en altitudes elevadas	41
8. PARADA DEL MOTOR	42
9. OPERACIÓN	43
10. MANTENIMIENTO	49
11. TRANSPORTE/ALMACENAJE	62
12. LOCALIZACIÓN Y REPARACIÓN DE AVERÍAS	66
13. ESPECIFICACIONES	67

1. INSTRUCCIONES DE SEGURIDAD

▲ ADVERTENCIA

1. Campo de aplicación

Este dispositivo solo está autorizado para su uso agrícola.

Otros campos de aplicación posibles:

silvicultura, cultivos de lúpulo, fruticultura, cultivos especializados, viticultura, viveros, horticultura, fuera de tierras de cultivo, pastizales, protección de almacenamientos, cultivos en invernaderos, cultivos de plantas ornamentales.

2. Advertencia general sobre el uso de compuestos químicos (llenado, pulverización, limpieza, etc.)

- Siga siempre la legislación nacional.
- Siga las instrucciones del componente químico.

3. Información sobre el llenado del dispositivo y medidas de seguridad

Llenado:

- Aplique únicamente la cantidad de líquido necesaria.
- No llene el contenedor por encima de la línea de llenado máximo.
- Asegúrese de que el líquido no se derrama ni salpica.
- Cuando utilice agua del grifo, no permita que la manguera de llenado se introduzca en el líquido sin tomar precauciones de seguridad.
- Utilice agua superficial solo con autorización oficial y evitando toda la contaminación.

Medidas de seguridad:

- Siga las instrucciones de seguridad para el usuario contenidas en el manual de instrucciones del pesticida y utilice la protección corporal recomendada si es necesario.
- No coma, fume ni beba mientras trabaja con pesticidas.
- Lávese las manos y la cara concienzudamente una vez que haya finalizado el trabajo.
- Mantenga los dispositivos de control de plagas y los pesticidas alejados de los niños.
- Nunca sople las boquillas ni otras piezas pequeñas con la boca.

▲ ADVERTENCIA

4. Información sobre cuánto tiempo puede utilizarse el pulverizador de mochila

- La misma persona no debe realizar operaciones de pulverización durante un tiempo prolongado ni todos los días.
- Efectúe las operaciones y realice descansos moderados.

5. Información sobre los rangos de ajuste y funcionamiento del dispositivo

Lo siguiente debe introducirse individualmente en cada conjunto de boquilla.

Distancia óptima desde la boquilla a la superficie objetivo, la anchura de trabajo asociada, el ángulo de pulverización, el rango de presión de pulverización con los caudales asociados, la presión de pulverización óptima y los campos de aplicación recomendados.

▲ ADVERTENCIA**Para una operación segura****Responsabilidad del usuario**

- Cualquier parte de la máquina es una fuente potencial de peligro si se usa la máquina en condiciones anormales o si el mantenimiento no se realiza correctamente.
- Lea atentamente el Manual del Propietario. Familiarícese con los controles y con la utilización correcta del pulverizador de mochila. Sepa como parar el motor con rapidez.
- Utilice el pulverizador de mochila para la finalidad para la que fue diseñado, que es la pulverización de agua o compuestos químicos de uso agrícola. Cualquier otro uso podría ser peligroso o dañar el pulverizador de mochila.
- El rango de funcionamiento recomendado para este pulverizador de mochila es de 5°C a 40°C.

No utilice el pulverizador de mochila si está congelado.

- No permita nunca el empleo de este pulverizador de mochila a niños ni a personas que no estén familiarizadas con este manual de instrucciones. Las normativas locales aplicables pueden restringir la edad del usuario.
- Si usted presta o revende el pulverizador de mochila a una tercera persona, instrúyala en el manejo del aparato y adviértale que lea atentamente y entienda el Manual del Propietario antes de utilizarlo.
- Se recomienda que las personas que presenten alguno de los cuadros siguientes no pulvericen compuestos químicos agrícolas ni ayuden a otra persona a hacerlo.
 - * Enfermedades hepáticas o renales
 - * Alergias
 - * Sensibilidad al compuesto químico
 - * Personas enfermas ni personas en fase de recuperación de una enfermedad
 - * Lesiones personales
 - * Durante la menstruación
 - * Durante el embarazo

El compuesto químico utilizado podría ser dañino para su salud.

Para una operación segura

Responsabilidad del usuario

- Nunca utilice el pulverizador de mochila mientras:
 - hay gente, especialmente niños, o mascotas en las inmediaciones.
 - el usuario está fatigado o medicado, o ha ingerido sustancias que afecten a su juicio o sus reacciones.
- Tenga presente que el operador o usuario es responsable de los accidentes o peligros ocasionados a terceras personas o a su propiedad.
- Antes de cada uso, inspeccione visualmente el pulverizador de mochila en busca de daños o aflojamientos de las piezas de sujeción.
- Antes de cada utilización, mire en torno al motor y debajo del mismo para ver si hay indicios de fugas de aceite o de gasolina.
- Dado que, cuando está completamente lleno, el depósito es muy pesado, preste especial atención para no dañarse la parte inferior de la espalda cuando lo transporte.
- Adopte siempre una postura de trabajo segura cuando transporte el depósito. No trabaje en lugares elevados utilizando escaleras cuando transporte el depósito.
- No opere el pulverizador de mochila por la noche ni cuando haga mal tiempo o la visibilidad sea mala, porque correrá un riesgo muy grande de accidentes.
- Cuando pulverice confirme siempre que el camino hacia adelante está despejado. Se recomienda caminar hacia adelante mientras pulveriza. Evite caminar hacia atrás al pulverizar ya que esto dificulta poder confirmar que el camino se encuentra despejado hacia adelante.
- Evite utilizar el pulverizador de mochila en pendientes pronunciadas. Si la pendiente pronunciada es resbaladiza, podría caerse.
- No utilice el pulverizador de mochila con las etiquetas u otras partes quitadas.
- No monte piezas incorrectas ni altere el pulverizador de mochila ya que esto puede causar lesiones personales y/o daños al aparato.
- Mantenga todas las tuercas, pernos, y tornillos apretados para asegurarse de que el pulverizador de mochila está en estado de funcionamiento seguro. El mantenimiento regular es una ayuda esencial para la seguridad del usuario y conservar un alto nivel de rendimiento.
- Para evitar el funcionamiento incorrecto del pulverizador de mochila, siga con precaución las instrucciones del compuesto químico.

▲ ADVERTENCIA

Para una operación segura

Cómo manipular compuestos químicos agrícolas

A la hora de manipular compuestos químicos agrícolas, siga las instrucciones del fabricante o del distribuidor. De la misma forma, siga la legislación y las normativas.

- La persona que pulveriza compuestos químicos agrícolas, o quien le ayuda en dicha labor, debe utilizar vestuario de protección que impida la inhalación de los compuestos o el contacto directo con ellos.

Este atuendo incluye normalmente:

- * Gorro impermeable, camisa de manga larga, pantalón largo
- * Guantes y botas de goma
- * Gafas y máscara de protección
- * Tapones para los oídos

No olvide que tocar o inhalar compuestos químicos agrícolas es peligroso para su salud y podría envenenarle.

Compruebe y mantenga el equipo de protección para que funcione correctamente en todo momento y utilícelo correctamente.



Para una operación segura

Cómo manipular compuestos químicos agrícolas

- Antes de poner el motor en funcionamiento, asegúrese de que la manguera del pulverizador está instalada con seguridad en el pulverizador de mochila y que la válvula de cierre está en la posición "CERRADO". De lo contrario, los compuestos químicos podrían salpicarle durante el funcionamiento.
- Si, por error, los compuestos químicos agrícolas entran en contacto con su piel, lávela inmediatamente con jabón. Si los compuestos penetran en su ropa, cámbiela.
- Si se siente mareado o tiene náuseas, dolor de cabeza o de estómago, visite inmediatamente a un médico. Infórmele de los compuestos químicos que ha utilizado y de las condiciones del trabajo (tiempo y lugar de operación, medios de operación, etc.). La atención médica inmediata es importante para evitar lesiones químicas de consideración.
- No apunte la boquilla directamente hacia nadie cuando pulverice compuestos químicos agrícolas. Detenga el trabajo si cualquier persona o niños se acercan a usted cuando está pulverizando compuestos químicos agrícolas.
- Controle la dirección del viento cuando pulverice compuestos químicos agrícolas. Tenga el viento a su espalda para evitar verse rociado. Si pulveriza compuestos químicos agrícolas contra la dirección del viento, no toque los cultivos pulverizados. Respirar o tocar compuestos químicos daña su salud.
- Debe realizar un plan cuando desbroce y pulverice compuestos químicos agrícolas para evitar insectos. Además, el control de insectos debe realizarse sistemáticamente. Esto significa desbrozar primero la zona, no al revés, y pulverizar la tierra después del desbroce. Esto evita tener que desbrozar al final y le protege de realizar esta operación justo después de pulverizar compuestos químicos agrícolas.
- No pulverice durante periodos prolongados de tiempo ni todos los días. Durante esta operación deben tomarse descansos. El cansancio hace que las personas tiendan a resultar afectadas fácilmente por los compuestos químicos agrícolas cuando se utiliza el pulverizador de mochila.

Para una operación segura

Cómo manipular compuestos químicos agrícolas

- No pulverice los compuestos químicos a horas en las que la temperatura sea elevada o en días de fuerte viento. No pulverice los compuestos químicos en lugares y horas concurridos, en especial cuando sea posible que pasen escolares por la zona. Si pulveriza los compuestos químicos bajo una luz solar intensa, los compuestos químicos pulverizados se concentran y pueden ser más dañinos para su salud. Si pulveriza los compuestos químicos en días de fuerte viento, estos pueden desplazarse a otros lugares y dañar a personas o animales, como mascotas, colmenas, gusanos de seda o animales acuáticos.
- Lea y comprenda todas las etiquetas de los compuestos químicos, instrucciones y precauciones para asegurar un uso correcto. Conozca la toxicidad de los compuestos químicos y el tratamiento de primeros auxilios necesarios en caso de emergencia.
Ignorar las precauciones podría causar accidentes serios.
- No coma, beba ni fume durante la pulverización de compuestos químicos. Lávese las manos y la cara cuidadosamente con jabón. Para protegerse de los efectos nocivos de los compuestos químicos, enjuáguese también la boca antes de realizar un descanso o de comer o fumar después de pulverizar.
- No transporte ni guarde alimentos ni bebidas en el mismo contenedor que los compuestos químicos o en el pulverizador de mochila para evitar la contaminación cruzada.
- Los compuestos químicos sobrantes deben sellarse y guardarse en una caja con cerradura y llave y mantenerse alejado de los alimentos y las bebidas para evitar accidentes serios.

▲ ADVERTENCIA**Para una operación segura****Cómo manipular compuestos químicos agrícolas**

- Después de utilizar el pulverizador de mochila, guárdelo fuera del alcance de los niños y de los animales domésticos.
El almacenamiento inadecuado puede dejar expuestos a los niños o los animales, lo que podría ser dañino para su salud.
- No utilice compuestos químicos indicados como "Sin fuego", tales como sulfuros, emulsiones o grasas, cerca de fuego (hogueras, cigarrillos, etc.). Coloque los compuestos químicos en un lugar alejado de todo tipo de fuegos.
- Limpie cuidadosamente el pulverizador de mochila. Deposite el agua residual en tierras que no sean de labor. Una limpieza incompleta puede causar que los residuos químicos del producto reaccionen con los distintos componentes químicos utilizados posteriormente, lo que podría ser dañino.
- Siga las instrucciones suministradas por los fabricantes o los distribuidores y la normativa para la eliminación de bolsas, cajas de cartón o contenedores de plástico de los componentes químicos.
- Después del trabajo de pulverización, dúchese cuidadosamente con jabón. Quítese y lave todas las prendas que ha utilizado. Si, al siguiente día, vuelve a ponerse la misma ropa que utilizó durante el trabajo de pulverización, los restos de los componentes químicos podrían ser dañinos.

▲ ADVERTENCIA

Para una operación segura

Peligro de fuegos y quemaduras

La gasolina es extremadamente inflamable y los vapores de la gasolina pueden explotar.

Extreme las precauciones cuando manipule gasolina. Mantenga la gasolina fuera del alcance de los niños.

- Guarde el combustible en recipientes especialmente diseñados para ello.
- Reposte solo en exteriores y no fume mientras repostas ni mientras manipulas combustible.
- Añada el combustible antes de arrancar el motor. No extraiga nunca la tapa del depósito de combustible ni añada gasolina mientras el motor esté en marcha ni cuando el motor esté caliente.
- Si se ha derramado combustible, no intente arrancar el motor; traslade el pulverizador de mochila a un lugar donde no haya combustible derramado y evite cualquier tipo de encendido hasta que se haya disipado el vapor del combustible.
- Cierre con fuerza las tapas del depósito y del recipiente del combustible.
- Cuando arranque el motor después de haber repostado, asegúrese de arrancar el motor a 3 m de distancia como mínimo del lugar donde repostó.
- No guarde nunca el pulverizador de mochila con gasolina dentro del depósito en el interior de un edificio donde el vapor del combustible pueda llegar a un fuego, chispa, o fuente de altas temperaturas.
- Deje que el motor se enfríe antes de guardarlo en un lugar cerrado.
- Para reducir el peligro de incendios, mantenga el pulverizador de mochila, especialmente el motor, silenciador, y también lugar de almacenaje de la gasolina, exentos de hierba, hojas, o grasa excesiva.
No deje recipientes de materias vegetales dentro ni cerca de un edificio.
- Si debe drenarse el depósito de combustible, deberá hacerse en exteriores con el motor frío.

▲ ADVERTENCIA

Para una operación segura

Peligro de envenenamiento por monóxido de carbono

Los gases de escape contienen monóxido de carbono venenoso, que es un gas incoloro e inodoro. Respirar dicho gas puede producir pérdida de consciencia e incluso la muerte.

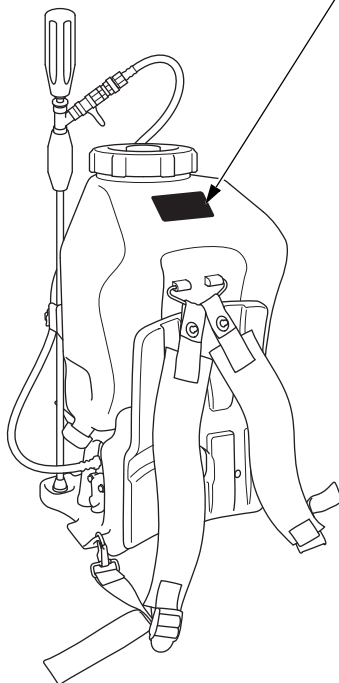
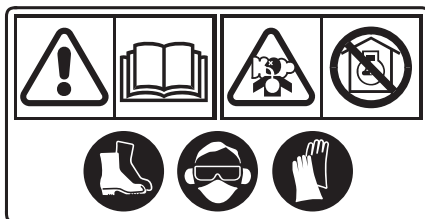
- Si pone en funcionamiento el motor en lugares confinados o parcialmente cerrados, el aire que usted respire contendrá una cantidad peligrosa de gases de escape. Para evitar que se acumulen los gases de escape, proporcione ventilación adecuada.
- Reemplace el silenciador si está averiado.
- No ponga el motor en funcionamiento en lugares cerrados donde puedan acumularse humos peligrosos de monóxido de carbono.

2. UBICACIONES DE LAS ETIQUETAS DE SEGURIDAD

Estas etiquetas le advierten los peligros potenciales que pueden causar daños serios. Lea atentamente las etiquetas y notas de seguridad, así como las precauciones descritas en este manual.

Si se despegga una etiqueta o resulta difícil de leer, póngase en contacto con su concesionario de Honda para el reemplazo.

PRECAUCIONES PARA EL OPERARIO





- El pulverizador de mochila Honda está diseñado para proporcionar un servicio seguro y fiable si se opera de acuerdo con las instrucciones. Lea y comprenda el manual de instrucciones antes de operar el pulverizador de mochila. De no hacerlo así, pueden producirse daños personales o en el equipo.



- Los gases de escape contienen monóxido de carbono venenoso, que es un gas incoloro e inodoro. Si se aspira monóxido de carbono puede ocasionar la pérdida del conocimiento y puede causar la muerte.
- Si pone en marcha el pulverizador de mochila en lugares cerrados, o incluso en lugares parcialmente cerrados, es posible que el aire que usted respire contenga una cantidad peligrosa de gases de escape.
- No ponga nunca en marcha el pulverizador de mochila dentro de un garaje, de una casa ni cerca de puertas o ventanas abiertas.

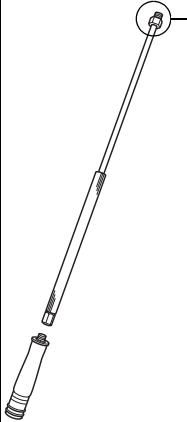
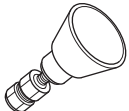
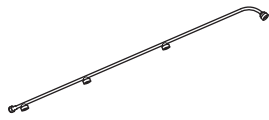
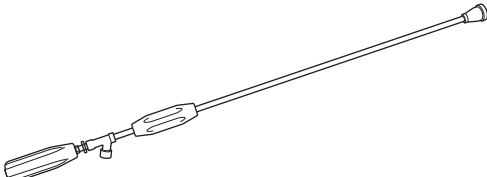


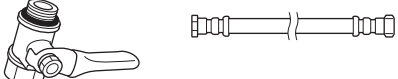

- Utilice protección ocular, máscara de protección y otros dispositivos protectores para proteger sus ojos y su cuerpo de los compuestos químicos agrícolas.

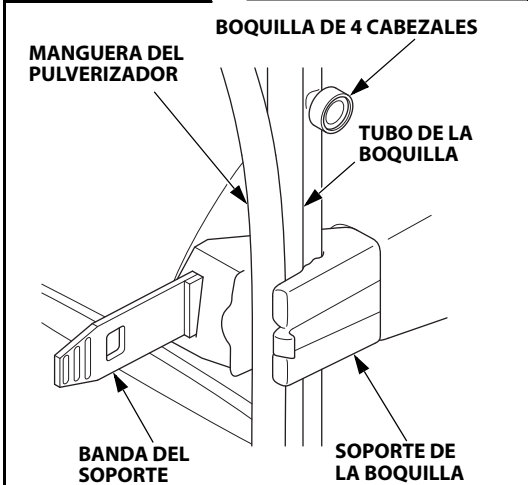
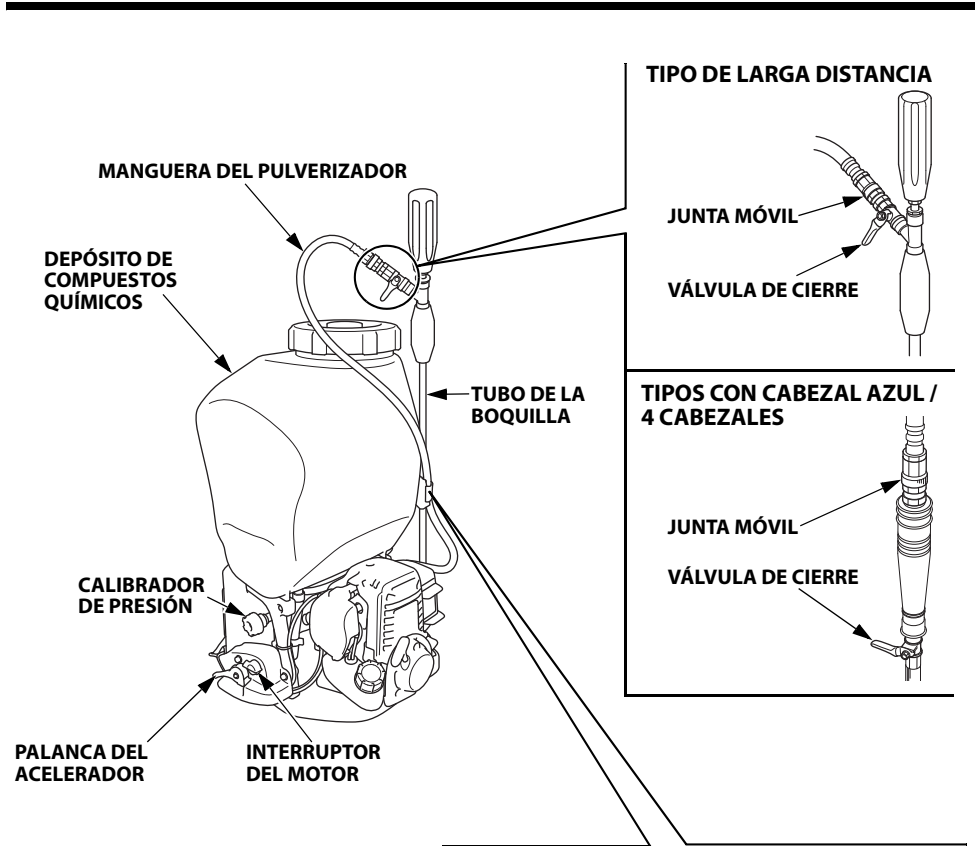
3. IDENTIFICACIÓN DE COMPONENTES

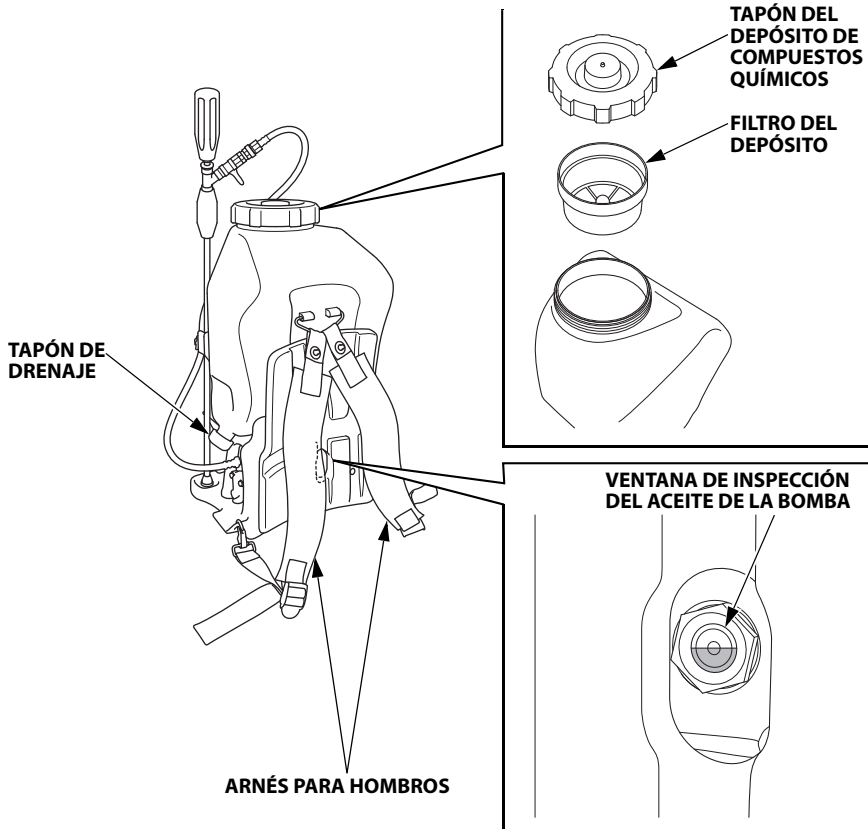
Tabla de tipos de boquillas y cabezales

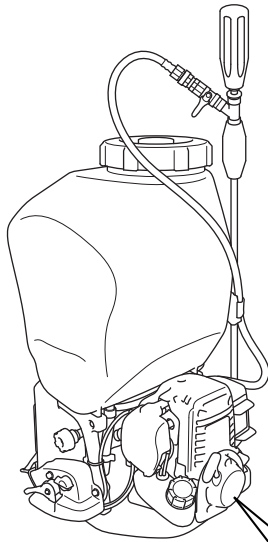
- : Piezas estándar
- * : Piezas opcionales

Tipos de boquilla y cabezal		Tipo de modelo	WJR4025		
			GCS	GCL	GCV
	Cabezal azul		*	*	*
	4 cabezales		*	●	●
Larga distancia			●	*	*

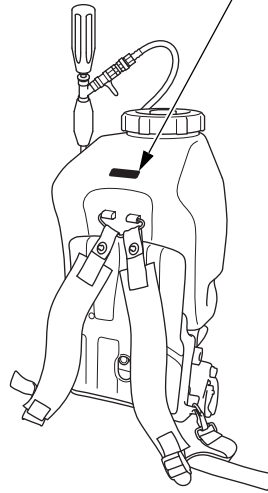
Piezas de conexión		Tipo de modelo	WJR4025		
			GCS	GCL	GCV
Válvula de cierre	Manguera del pulverizador			●	
Junta móvil					







NÚMERO DE SERIE DEL BASTIDOR



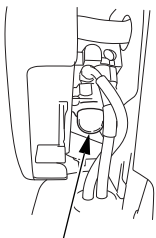
TUBO DE RETORNO DEL COMBUSTIBLE

FILTRO DE AIRE

EMPUÑADURA DEL ARRANCADOR

PALANCA DEL ESTRANGULADOR

SILENCIADOR



BOMBA DE CEBADO

**TAPA DE
RELLENO DE
ACEITE**

TUBO DEL COMBUSTIBLE

TIPO DE MOTOR

TAPÓN DEL DEPÓSITO DE COMBUSTIBLE

DEPÓSITO DE COMBUSTIBLE

NÚMERO DE SERIE DEL MOTOR

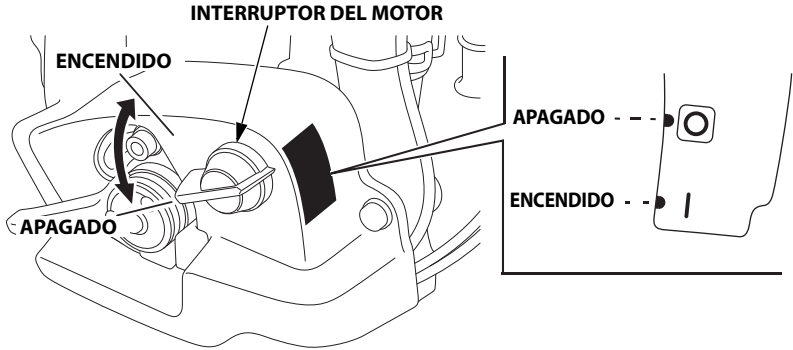
Anote el número de serie del bastidor y el número de serie del motor en el espacio siguiente. Necesitará estos números de serie cuando realice pedidos de partes, y consultas técnicas o sobre la garantía.

Número de serie del motor: _____

Número de serie del bastidor: _____

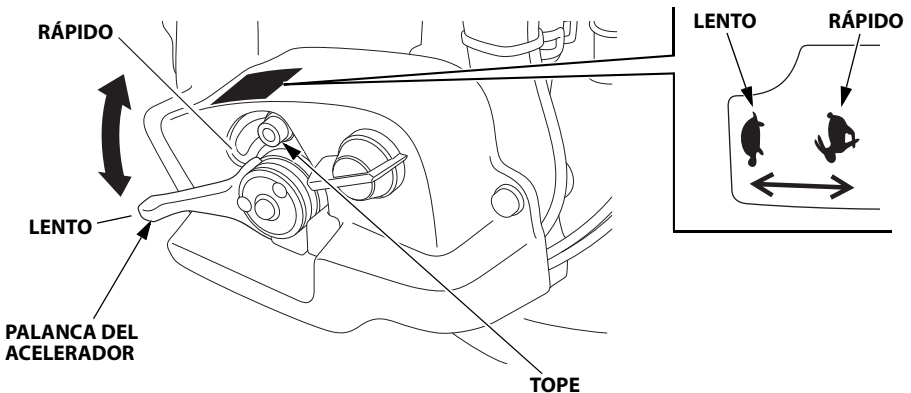
Interruptor del motor

El interruptor del motor activa y desactiva el sistema de encendido. El interruptor del motor debe de estar en la posición ENCENDIDO para que el motor funcione. Poniendo el interruptor del motor en la posición APAGADO se para el motor.



Palanca del acelerador

La palanca del acelerador controla la velocidad del motor de LENTO a RÁPIDO y permanecerá en cualquiera de las posiciones designadas.



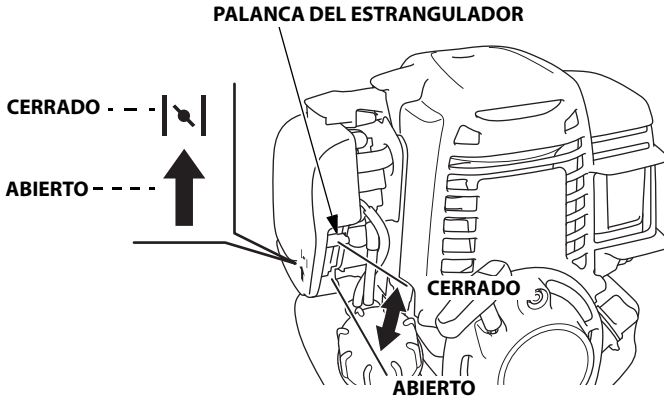
NOTA:

La palanca del acelerador está regulada por el tope. No cambie la posición del tope para forzar el aumento de la velocidad del motor. El exceso de velocidad del motor afecta de forma negativa al rendimiento de la bomba, al motor y a la bomba.

Palanca del estrangulador

La palanca del estrangulador abre y cierra la válvula de estrangulación del carburador.

En la posición CERRADO se enriquece la mezcla del combustible para arrancar el motor frío. En la posición ABIERTO se suministra la mezcla correcta de combustible para funcionar después del arranque, o para volver a arrancar el motor caliente.

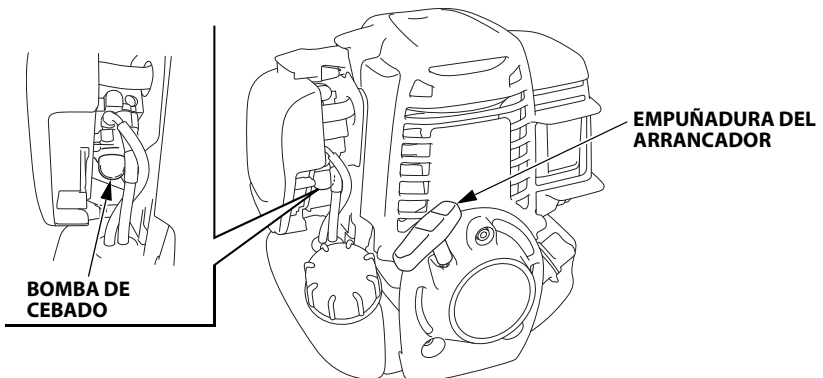


Dispositivo de arranque por retroceso

Al tirar de la empuñadura del arrancador se acciona el arrancador de retroceso para poner en marcha el motor.

Bomba de cebado

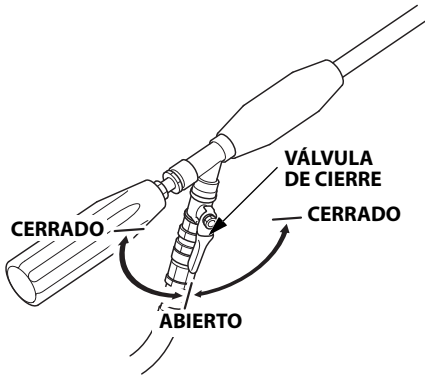
Si se pulsa la bomba de cebado se alimenta combustible de la bomba de combustible al carburador. Este procedimiento es necesario para arrancar el motor.



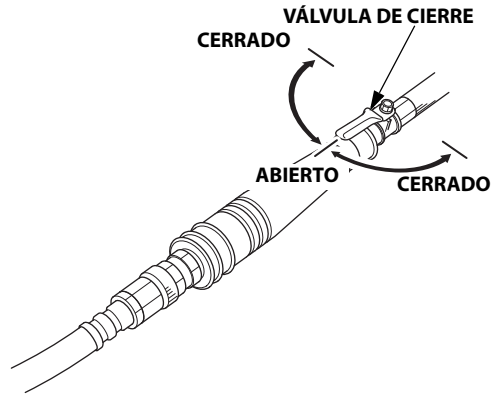
Válvula de cierre

Utilice la válvula de cierre cuando pulverice o deje de pulverizar compuestos químicos.

TIPO DE LARGA DISTANCIA



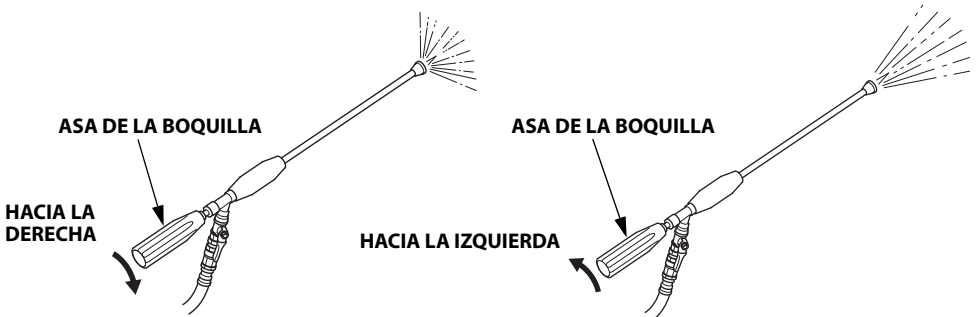
TIPOS CON CABEZAL AZUL / 4 CABEZALES



Asa de la boquilla (sólo tipo de larga distancia)

Utilice el asa de la boquilla para ajustar el ángulo y la distancia de pulverización.

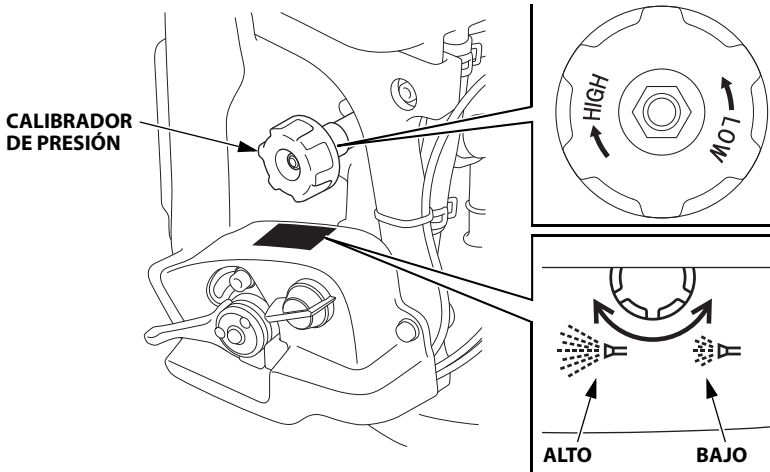
- Cuando se gira el asa de la boquilla hacia la derecha, el ángulo de pulverización se amplia y la distancia se acorta.
- Cuando se gira el asa de la boquilla hacia la izquierda, el ángulo de pulverización se estrecha y la distancia aumenta.



Calibrador de presión

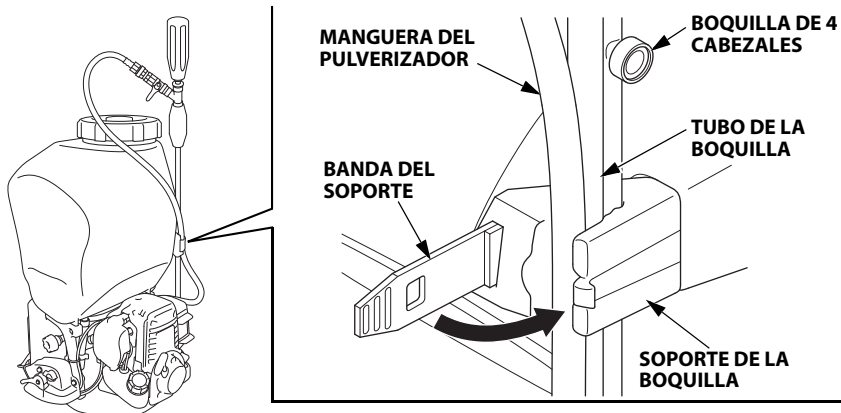
Utilice el calibrador de presión cuando ajuste la presión y la cantidad de pulverización.

- Cuando se gira el calibrador de presión hacia la derecha (ALTO), la presión y la cantidad de pulverización aumentan.
- Cuando se gira el calibrador de presión hacia la izquierda (BAJO), la presión y la cantidad de pulverización disminuyen.



Soporte de la boquilla

La boquilla de 4 cabezales, la manguera del pulverizador y el tubo de la boquilla pueden colocarse en el soporte de la boquilla por la banda del soporte. Si la banda de soporte se rompe, sustitúyala por una nueva.



Antes de operar, monte la boquilla y la manguera del pulverizador, luego conecte la manguera del pulverizador a la cámara de la bomba.

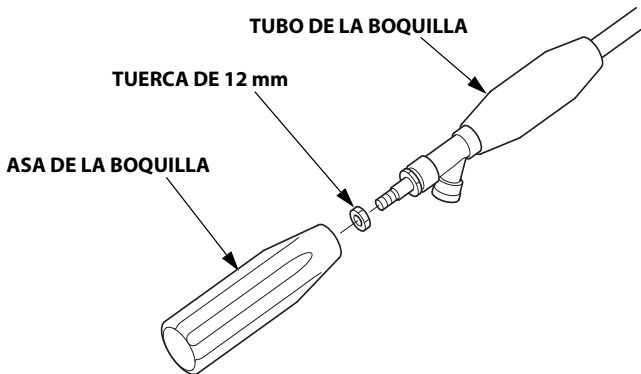
1. Monte la boquilla y la manguera del pulverizador.

Para obtener más información acerca de las variaciones del tipo de boquilla y del cabezal, consulte la página 15.

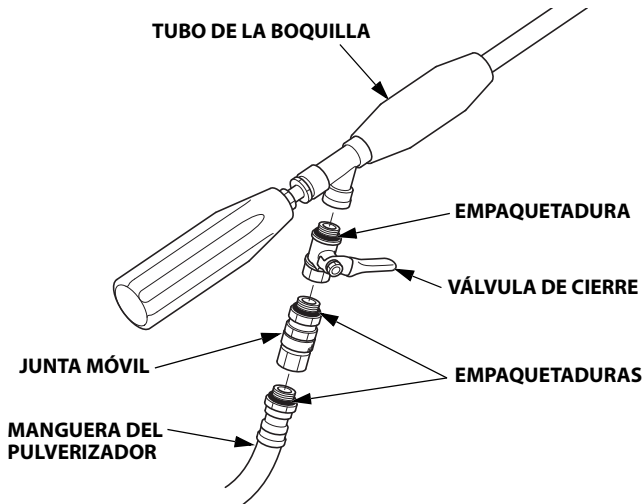
Tipo de larga distancia:

No olvide conectar las empaquetaduras y conectar firmemente todas las piezas.

- Instale la tuerca de 12 mm en el tubo de la boquilla.
- Conecte el asa de la boquilla al tubo de la misma.



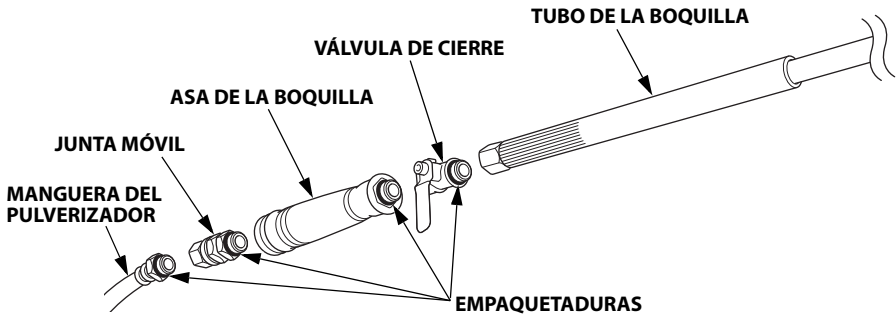
- Conecte la manguera del pulverizador a la junta móvil.
- Conecte la junta móvil a la válvula de cierre.
- Conecte la válvula de cierre al tubo de la boquilla.



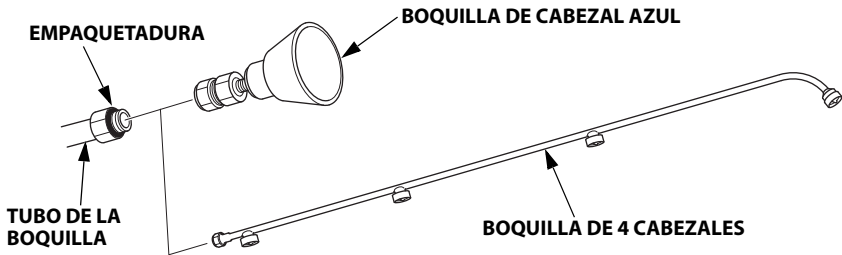
Tipos con cabezal azul / 4 cabezales:

No olvide conectar las empaquetaduras y conectar firmemente todas las piezas.

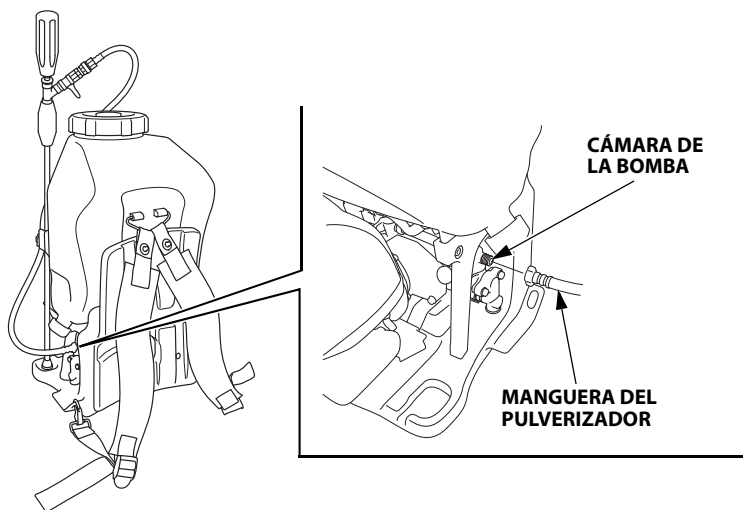
- a. Conecte la manguera del pulverizador a la junta móvil.
- b. Conecte la junta móvil al asa de la boquilla.
- c. Conecte el asa de la boquilla a la válvula de cierre.
- d. Conecte la válvula de cierre al tubo de la boquilla.



- e. Conecte el tubo de la boquilla a la misma.

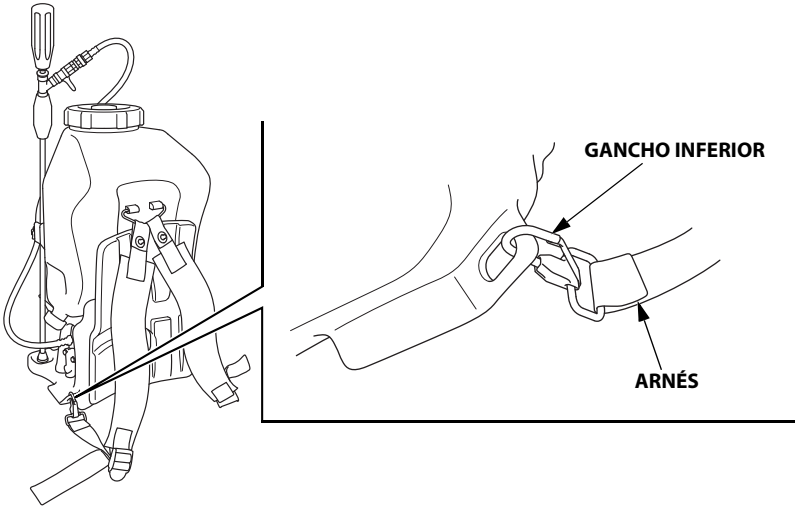


2. Después de montar la boquilla y la manguera del pulverizador, conecte la manguera del pulverizador a la cámara de la bomba.



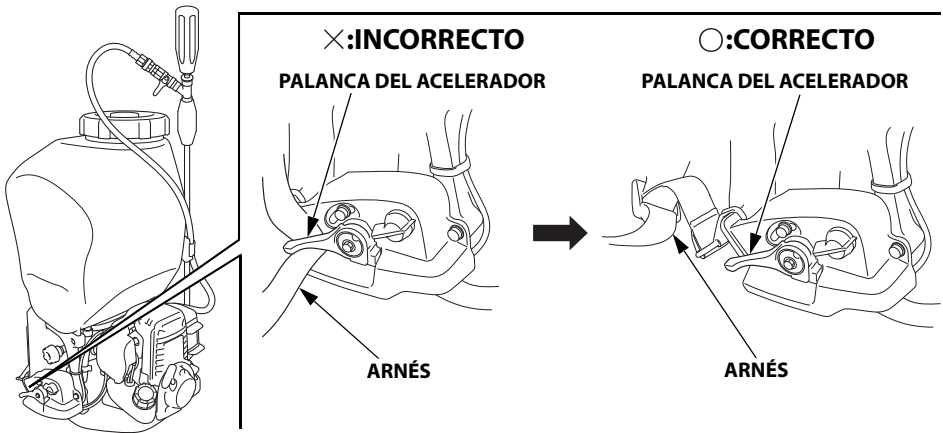
3. Compruebe el arnés.

Asegúrese de que el gancho inferior del arnés está conectado.



ATENCIÓN:

Cuando coloque el pulverizador de mochila en su espalda, asegúrese de que el arnés no se enrede con la palanca del acelerador.



6. VERIFICACIÓN PREVIA A LA OPERACIÓN

Para pulverizar de manera segura y eficaz haga siempre una inspección previa de funcionamiento:

▲ ADVERTENCIA

Antes de llevar la inspección previa a su uso, ponga el pulverizador de mochila sobre una superficie nivelada, pare el motor y asegúrese de que el interruptor del motor esté en la posición APAGADO para cerciorarse de que el motor no pueda ponerse en marcha accidentalmente.

Antes de cada utilización, mire en torno al motor y debajo del mismo para ver si hay indicios de fugas de aceite o de gasolina.

1. Comprobación del nivel de aceite del motor.

Cada 10 horas, compruebe el nivel de aceite del motor y rellene el aceite hasta el límite superior si el motor va a utilizarse continuamente durante un largo periodo de tiempo.

ATENCIÓN:

El aceite del motor es uno de los principales factores que afecta el rendimiento y la vida útil de servicio. No se recomiendan los aceites que no sean detergentes ni tampoco los vegetales.

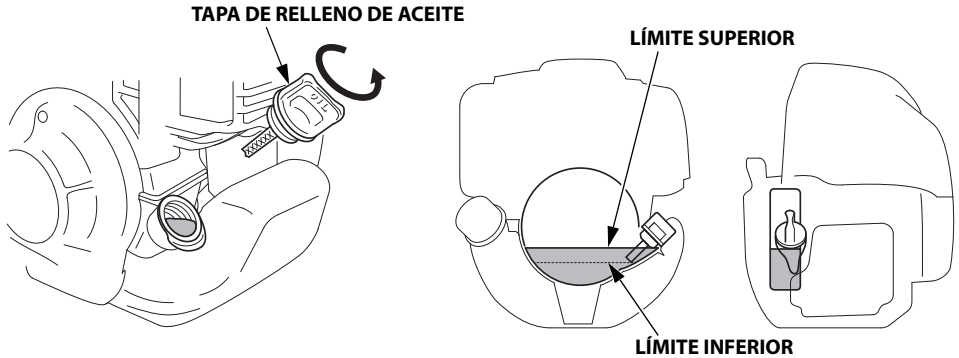
Compruebe el nivel del aceite de motor con el motor parado y en una posición nivelada.

- a. Extraiga la tapa de relleno de aceite.
- b. Compruebe el nivel de aceite. Si está bajo el límite superior, rellene con el aceite recomendado hasta el límite superior (consulte la página 28).
- c. Vuelva a instalar la tapa de llenado de aceite con seguridad.

Añada el aceite de motor lentamente para evitar derramarlo ya que la capacidad del depósito de aceite del motor es limitada.

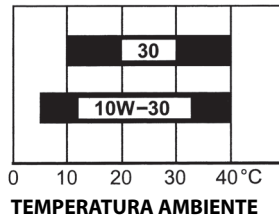
ATENCIÓN:

- Si se hace funcionar el motor sin suficiente aceite se pueden causar serios daños al mismo.
- Cerciorarse de comprobar el nivel de aceite estando el motor parado y sobre una superficie plana.



Aceite recomendado

Emplee aceite de motor de 4 tiempos que satisfaga o exceda los requisitos para la clasificación de servicio API de SE o posterior (o equivalente). Compruebe siempre la etiqueta de servicio API del recipiente de aceite para asegurarse que incluye las letras SE o posterior (o equivalente).



Se recomienda el SAE 10W-30 para aplicaciones generales. Las otras viscosidades mostradas en la gráfica pueden utilizarse cuando la temperatura media de su zona está dentro del margen indicado.

ATENCIÓN:

El uso de aceite de motor de 2 tiempo no detergente puede acortar la duración útil del motor.

2. Compruebe el nivel de combustible.

Emplee gasolina sin plomo para automóviles con un número de octanos de investigación de 91 o más alto (un número de octanos de bomba de 86 o más alto).

No emplee nunca gasolina pasada, contaminada ni mezclada con aceite. Evite la entrada de suciedad o agua en el depósito de combustible.

⚠ ADVERTENCIA

- **La gasolina es muy inflamable y explosiva bajo ciertas condiciones.**
- **Reposte en un lugar bien ventilado estando el motor parado. No fume ni deje que se produzcan llamas ni chispas en el área en el que se echa la gasolina o donde se guarda la misma.**
- **No llene excesivamente el depósito de combustible (no debe haber combustible en el cuello de llenado). Después de rellenar, asegúrese de que la tapa del depósito está bien cerrada.**
- **Tenga cuidado de no derramar combustible al repostar. Los derrames de combustible y sus vapores pueden inflamarse. Si se derrama combustible, cerciórese de que el área se encuentre seca antes de poner en marcha el motor.**
- **Evite un contacto repetido o prolongado con la piel o la inhalación de vapor. MANTENGA LA GASOLINA ALEJADA DEL ALCANCE DE LOS NIÑOS.**

ATENCIÓN:

No se recomiendan los substitutos de la gasolina porque podrían dañar los componentes del sistema de combustible.

NOTA:

La gasolina se echa a perder con rapidez dependiendo de factores tales como la exposición a la luz, la temperatura y el tiempo. En el peor de los casos, la gasolina puede echarse a perder en 30 días.

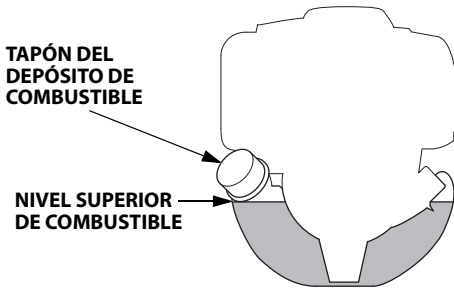
El empleo de gasolina sucia puede causar serios daños en el motor (obstrucciones en el carburador, agarrotamiento de válvulas).

Estos daños debidos a un combustible que no está en buenas condiciones no están cubiertos por la garantía.

Para evitar estas situaciones, siga estrictamente estas recomendaciones:

- Emplee sólo la gasolina especificada.
- Emplee gasolina nueva y limpia.
- Para aminorar el deterioro, mantenga la gasolina en un recipiente de combustible homologado.
- Si se tiene que almacenar durante mucho tiempo (más de 30 días), drene el depósito de combustible y el carburador (vea la página 64).

-
- a. Coloque el pulverizador de mochila horizontalmente y compruebe desde el exterior del depósito para ver si dispone de combustible suficiente.
 - b. Si el nivel de combustible es bajo, rellene con combustible. No supere el nivel superior de combustible.
Quite gradualmente la tapa del depósito de combustible para soltar el aire a presión que se encuentra en el depósito de combustible. El combustible podría chorrear fuera si la tapa del depósito de combustible se quita rápidamente.



Gasolina con alcohol

Si decide utilizar gasolina con alcohol (gasohol), asegúrese que el octanaje sea al menos tan alto como el recomendado por Honda.

Existen dos tipos de "gasohol": uno que contiene etanol, y otro que contiene metanol.

No utilice gasohol con más del 10% de etanol.

No emplee nunca gasolina que contenga más del 5% de metanol (alcohol metílico o alcohol de madera) o gasolina que contenga metanol si no contiene cosolventes e inhibidores contra la corrosión para metanol.

NOTA:

- Los daños en el sistema de combustible o los problemas de rendimiento del motor causados por la utilización de gasolina que contenga más cantidad de alcohol que la recomendada no están cubiertos por la garantía.
- Antes de adquirir gasolina de una gasolinera desconocida, compruebe si la gasolina contiene alcohol, y en caso de contenerlo, pregunte el tipo y porcentaje de alcohol utilizado.

Si nota síntomas indeseados de funcionamiento mientras usa una determinada gasolina. Cambie a una gasolina que sepa que contiene una cantidad de alcohol menor que la recomendada.

3. Comprobar el elemento del filtro de aire.

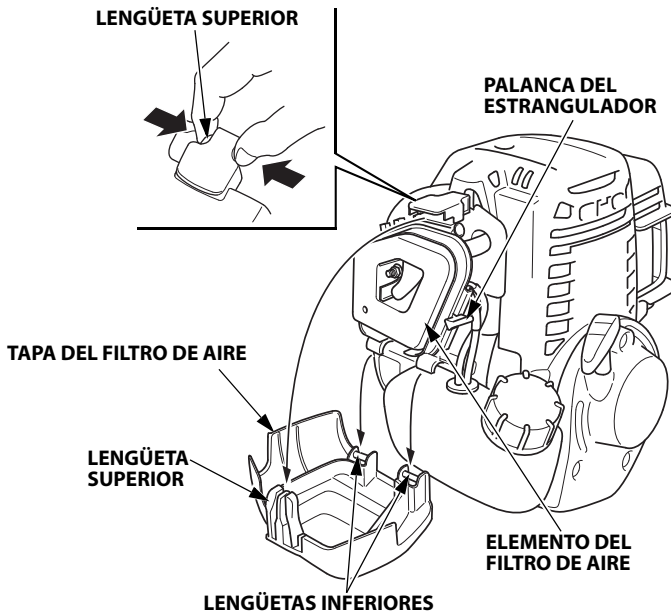
⚠ ADVERTENCIA

No emplee nunca gasolina ni solventes de bajo punto de inflamación para la limpieza del elemento del filtro de aire. Podrían producirse incendios o explosiones.

ATENCIÓN:

Nunca ponga en marcha el motor sin el filtro de aire. El motor podría desgastarse con rapidez, debido al polvo y suciedad que ingresan al motor a través del carburador.

- Mueva la palanca del estrangulador a la posición CERRADO (vea la página 20).
- Quite la tapa del filtro de aire desenganchando la lengüeta superior encima de la tapa y las dos lengüetas inferiores.
- Compruebe el elemento del filtro de aire y asegúrese de que esté limpio y en buen estado.
Si el elemento está sucio, límpielo (vea la página 53). Reemplace el elemento si está dañado.
- Reponga la tapa y el elemento insertando las lengüetas inferiores y luego la lengüeta superior.

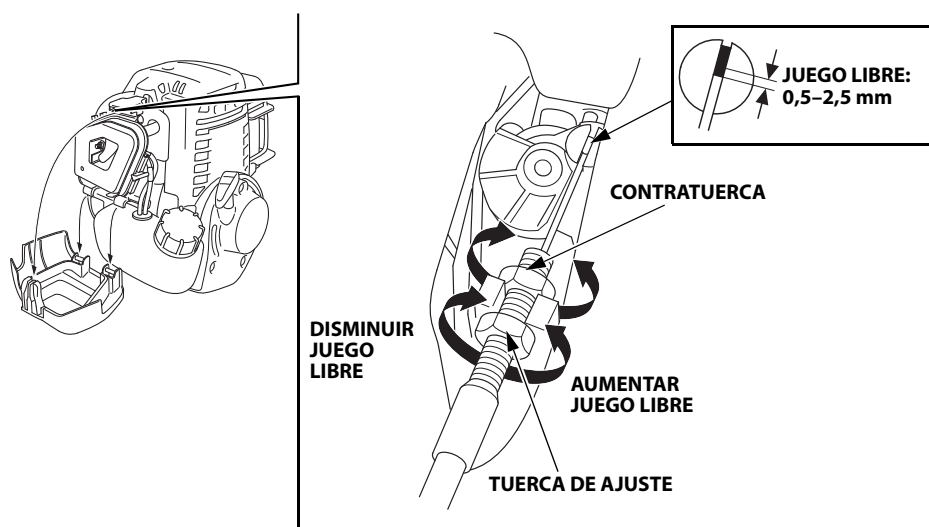


4. Compruebe el juego libre del cable del acelerador.

- a. Extraiga la cubierta del filtro de aire (vea la página 31).
- b. Compruebe el juego libre del cable del acelerador en la punta del cable tirando y soltando varias veces la palanca del acelerador.

Juego libre: 0,5–2,5 mm

Si el juego libre no fuese correcto, aflojar la contratuerca y girar la tuerca de ajuste hacia adentro o hacia afuera para obtener el juego libre correcto.

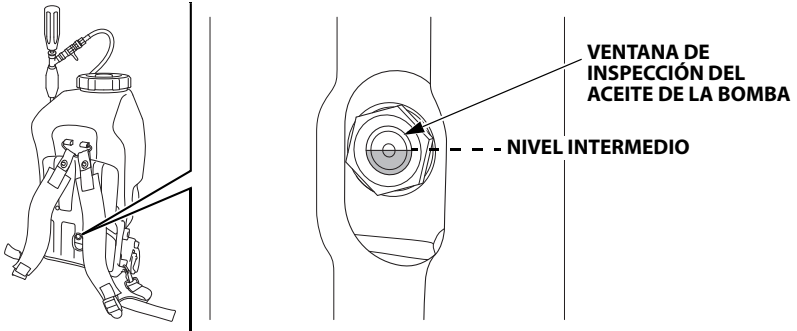


- c. Apriete la contratuerca.
- d. Compruebe si la palanca del acelerador se mueve con suavidad.
- e. Reinstale la cubierta del filtro de aire (vea la página 31).

5. Compruebe el aceite de la bomba.

Compruebe si el aceite de la bomba no está contaminado y no parece lechoso. Compruebe que el nivel de aceite no se encuentra por debajo del nivel intermedio de la ventana de inspección.

Si se cumple alguna de estas condiciones, consulte a su concesionario de servicio.

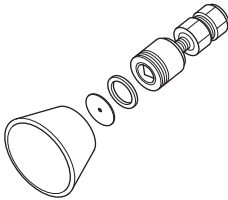


6. Compruebe la boquilla.

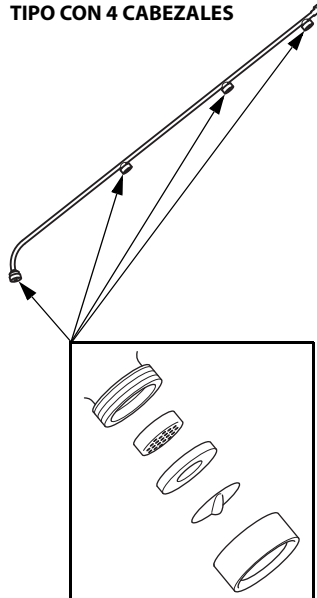
Si el pulverizador de mochila rocía irregularmente, desmonte la boquilla y realice su mantenimiento.

- Si hay suciedad o atascos, elimínelos.
- Si la boquilla está dañada, cámbiela.

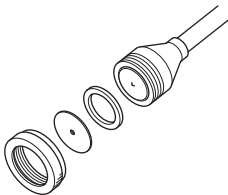
TIPO CON CABEZAL AZUL



TIPO CON 4 CABEZALES



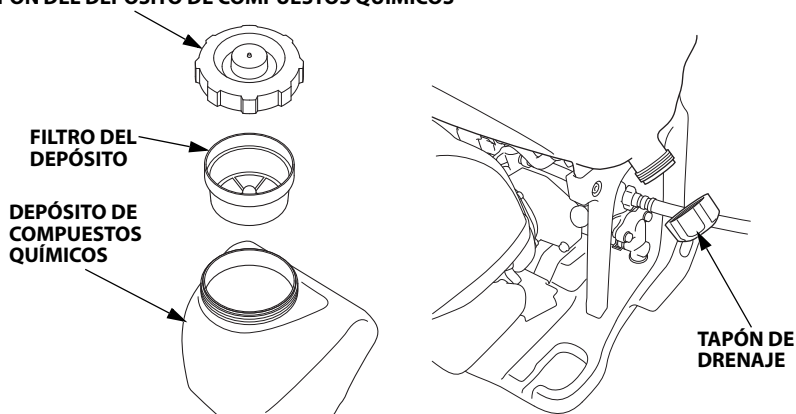
TIPO DE LARGA DISTANCIA



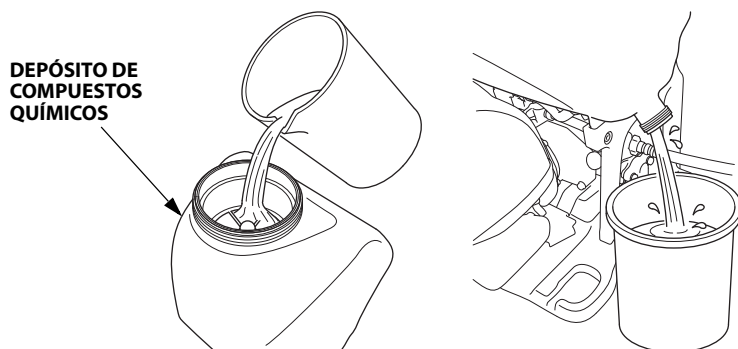
7. Compruebe el depósito del compuesto químico y su filtro.

- a. Quite el tapón del depósito del compuesto químico y el de drenaje. Compruebe si los tapones y las empaquetaduras presentan roturas o daños. Si están dañados, reemplácelos.
- b. Extraiga el filtro del depósito. Compruebe los posibles daños y obstrucciones del filtro del depósito.
 - Si está dañado, cámbielo.
 - Si está sucio u obstruido, lávelo con agua.

TAPÓN DEL DEPÓSITO DE COMPUESTOS QUÍMICOS



- c. Compruebe si el depósito de compuestos químicos presenta roturas o daños.
 - Si está roto o dañado, cámbielo.
 - Si el interior del depósito del compuesto químico está sucio, lávelo con agua.

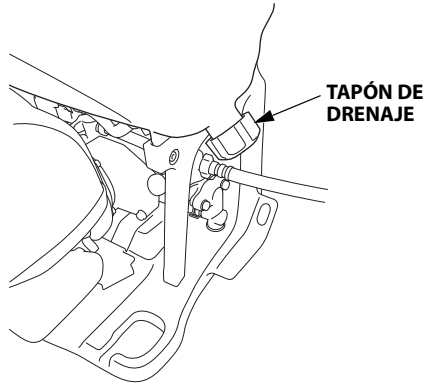


- d. Instale el filtro del depósito.
- e. Apriete firmemente el tapón del depósito del compuesto químico y el de drenaje.

8. Llene el depósito de compuestos químicos agrícolas.

Lea atentamente las instrucciones del compuesto químico. Siga siempre las instrucciones y las precauciones para la preparación y la manipulación del compuesto químico.

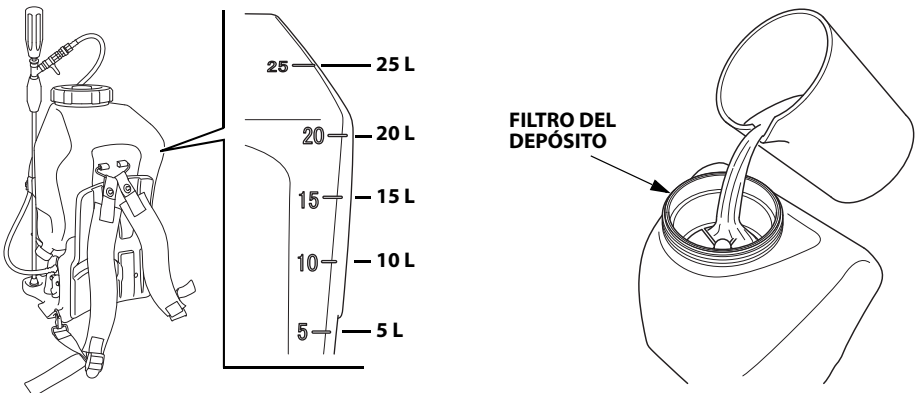
Cuando llene el depósito de compuestos químicos agrícolas, asegúrese de que el tapón de drenaje está bien apretado.



En una superficie nivelada, llene el depósito de compuestos químicos agrícolas utilizando el filtro del depósito.

NOTA:

Cuando llene el depósito de compuestos químicos agrícolas, asegúrese de utilizar el filtro del depósito. Cualquier sustancia extraña o polvo causará problemas en la bomba y la boquilla.

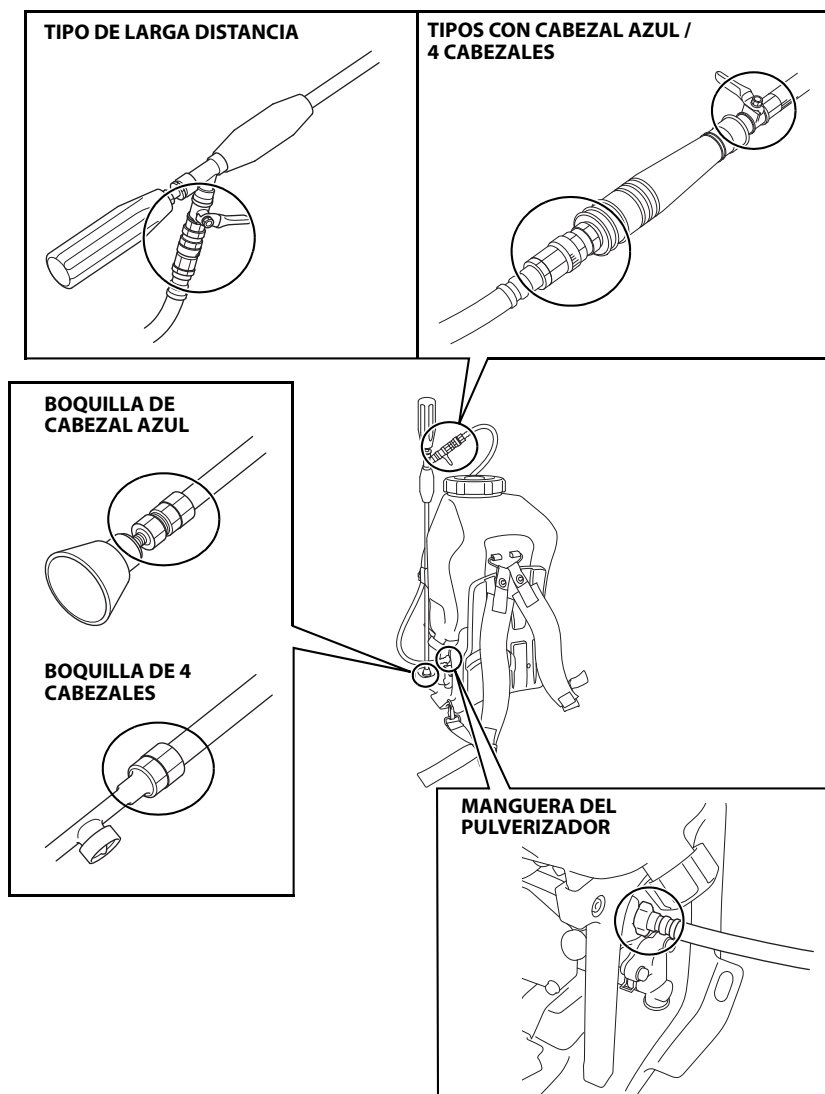


9. Compruebe que todas las tuercas, pernos y tornillos estén apretados.

Si es necesario, apriete los pernos y las tuercas adecuadamente y con seguridad.

10. Compruebe si la bomba presenta fugas.

Después de encender el motor, compruebe todas las conexiones en busca de fugas de componentes químicos.



7. ARRANQUE DEL MOTOR

▲ ADVERTENCIA

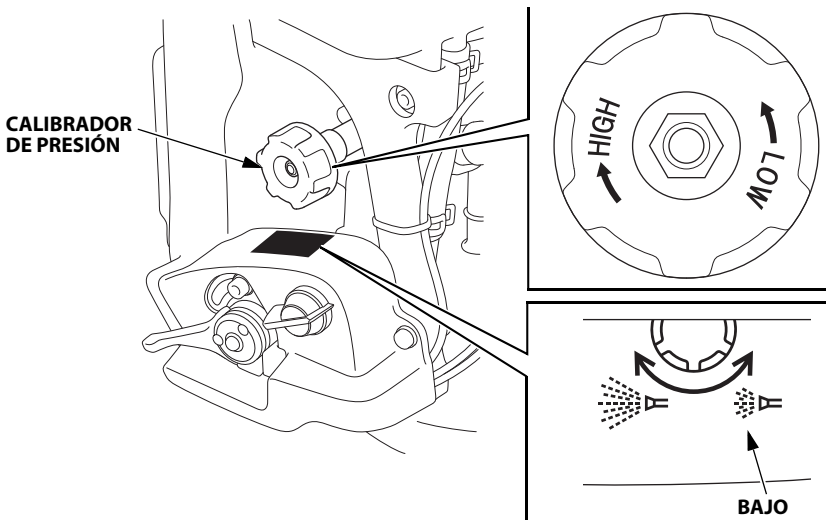
- El gas de escape contiene monóxido de carbono que es venenoso. No ponga nunca en funcionamiento el motor en un lugar cerrado. Cerciórese de disponer siempre de la ventilación apropiada.
- Ponga el motor en marcha en un lugar alejado de las personas, animales y edificios circundantes. Asegúrese de que no haya obstáculos en el área de trabajo.

NOTA:

No accione el pulverizador de mochila sin una cantidad suficiente de componente químico en el depósito.

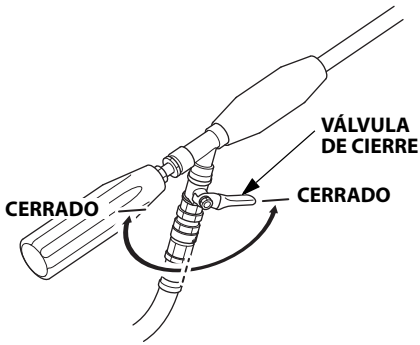
Introduzca, al menos, 1 litro de componente químico en el depósito (vea la página 35).

- Para evitar el uso del pulverizador de mochila sin una cantidad suficiente de componentes químicos en el depósito, en el momento que la boquilla haya dejado de pulverizar, apague el motor.
 - Si la cantidad de componentes químico del depósito es inferior a 1 litro, la bomba aspira aire e impide la pulverización del compuesto.
 - Si continua accionando el pulverizador de mochila sin una cantidad de componente químico suficiente, la bomba puede dañarse.
1. Gire el calibrador de presión hacia la izquierda (BAJO) hasta que se detenga y ciérrelo totalmente.

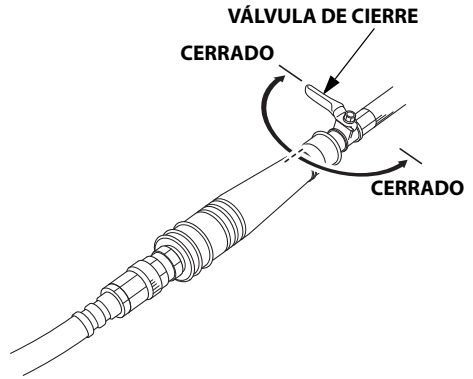


2. Gire la válvula de cierre hasta la posición CERRADO.

TIPO DE LARGA DISTANCIA

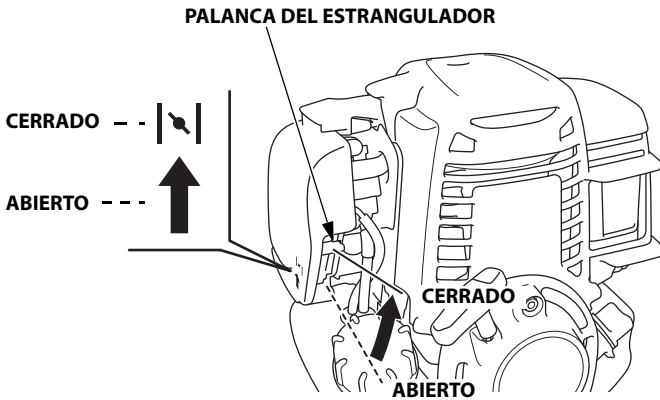


TIPOS CON CABEZAL AZUL / 4 CABEZALES

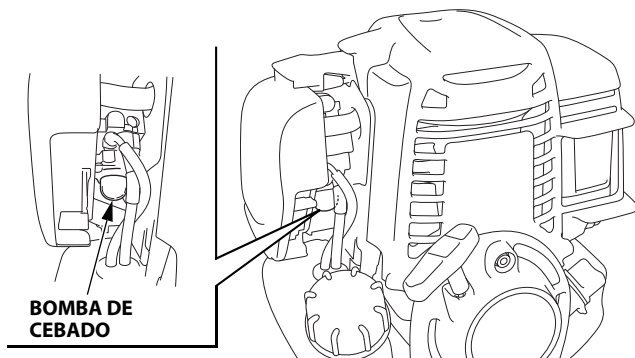


3. Para arrancar el motor cuando está frío, mueva la palanca del estrangulador a la posición CERRADO.

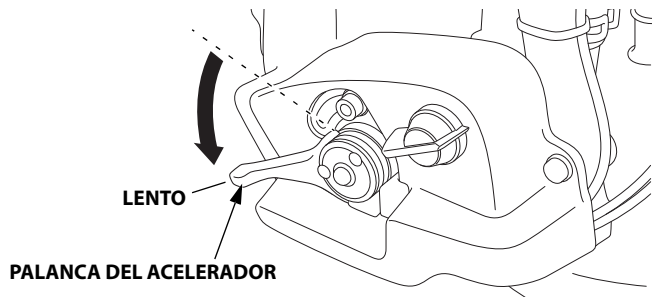
Para arrancar el motor cuando está caliente, deje la palanca del estrangulador en la posición ABIERTO.



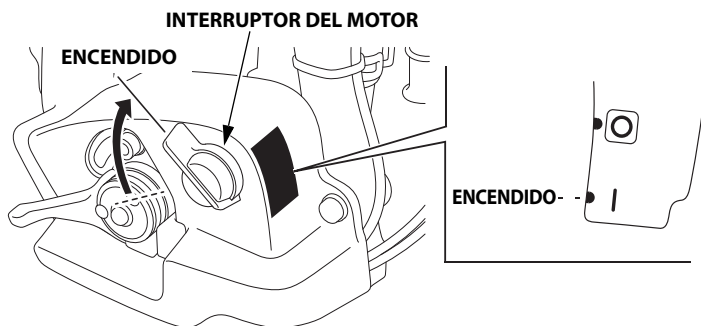
-
4. Presione la bomba de cebo varias veces hasta que ésta se llene de combustible.
Incluso aunque presione demasiadas veces la bomba de cebo, el combustible extra volverá al depósito de combustible.
Si la bomba de cebo no se presiona las veces suficientes, el motor podría no arrancar.



5. Asegúrese de que la palanca del acelerador se encuentra en la posición **LENTO**.



6. Gire el interruptor del motor a la posición **ENCENDIDO**.



7. Sujete con seguridad la cubierta superior del motor y tire ligeramente de la empuñadura del arrancador hasta notar resistencia, y entonces tire con fuerza en la dirección de la flecha como se muestra abajo.

Deje que la empuñadura del arrancador retorne con suavidad.

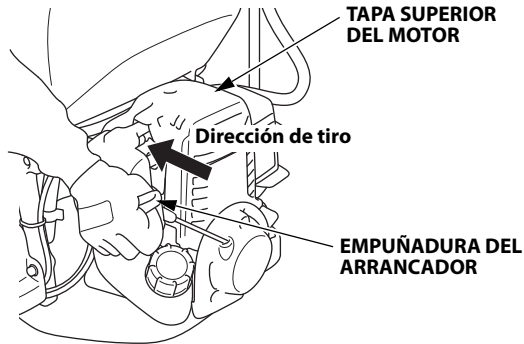
- Asegúrese de mantener alejados a las personas y las mascotas del pulverizador de mochila, en especial detrás de usted, antes de tirar de la empuñadura del arranque.

ATENCIÓN:

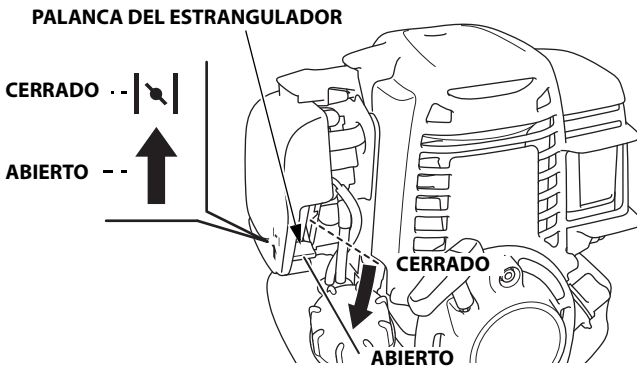
No permita que la empuñadura del arrancador retroceda con fuerza contra el motor. Haga que retorne con suavidad para evitar daños en el arrancador.

NOTA:

Tire siempre con fuerza de la empuñadura del arrancador. Si no se tira con fuerza, es posible que las chispas no salten por los electrodos de la bujía, en cuyo caso no arrancaría el motor.



8. Si la palanca del estrangulador se ha puesto en la posición CERRADO para poner en marcha el motor, póngala gradualmente en la posición ABIERTO a medida que el motor se vaya calentando.



Reinicio en caliente

Si el motor se utiliza a altas temperaturas ambiente, se apaga y se deja que repose un momento, puede que no se ponga en marcha a la primera. Si es necesario, siga este procedimiento:

PRECAUCIONES DE SEGURIDAD IMPORTANTES

Gire el interruptor del motor a la posición APAGADO antes de realizar el procedimiento siguiente. Esto evitará que el motor se encienda y alcance la velocidad máxima cuando el acelerador esté abierto al máximo. Si el motor se pone en funcionamiento con el acelerador totalmente abierto, los compuestos químicos agrícolas podrían salpicarle si la válvula de cierre está en la posición "ABIERTO". Esto podría causar lesiones personales.

1. Gire el interruptor del motor a la posición APAGADO.
2. Gire la palanca del estrangulador a la posición ABIERTO.
3. Mueva la palanca del acelerador en su posición máxima (RÁPIDO).
4. Tire de la empuñadura del arrancador de 3 a 5 veces.
5. Siga el procedimiento ARRANQUE DEL MOTOR de la página 37 y arranque el motor con la palanca del estrangulador en la posición ABIERTO.

• Operación en altitudes elevadas

En una altitud elevada, la mezcla de aire y combustible en el carburador normal será excesivamente rica. El rendimiento disminuirá, y aumentará el consumo de combustible.

El rendimiento a grandes altitudes podrá mejorar mediante modificaciones específicas en el carburador. Si opera el pulverizador de mochila en altitudes más elevadas que 610 m sobre el nivel del mar, permita que su concesionario autorizado Honda realice estas modificaciones en el carburador.

Incluso con un surtidor de carburador adecuado, la potencia del motor disminuirá aproximadamente en un 3,5 % por cada 300 m de aumento en altura. El efecto de la altitud en la potencia será mayor si no se han efectuado las modificaciones en el carburador.

ATENCIÓN:

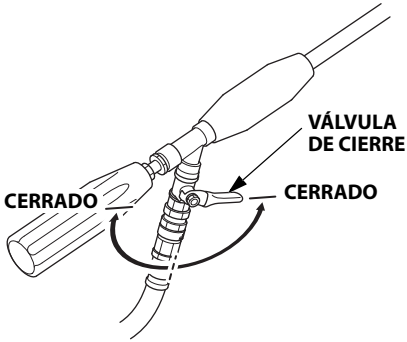
La operación del pulverizador de mochila en una altitud inferior en la que se ajusta el surtidor del carburador puede resultar en un menor rendimiento, sobrecalentamiento y en serios daños al motor causado por un excesivo paso de mezcla de aire y combustible.

8. PARADA DEL MOTOR

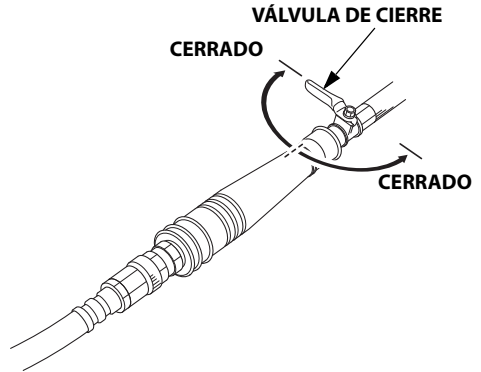
Para parar el motor en un caso de emergencia, simplemente gire el interruptor del motor a la posición APAGADO. En situaciones normales, emplee el procedimiento siguiente.

1. Gire la válvula de cierre hasta la posición CERRADO.

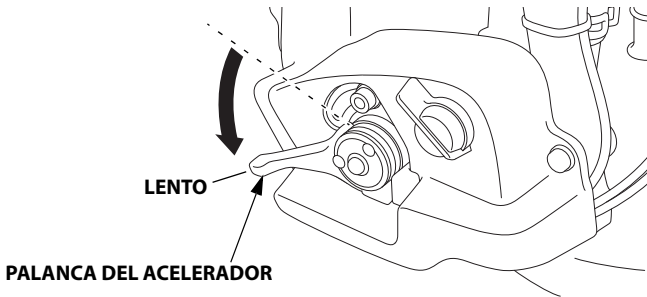
TIPO DE LARGA DISTANCIA



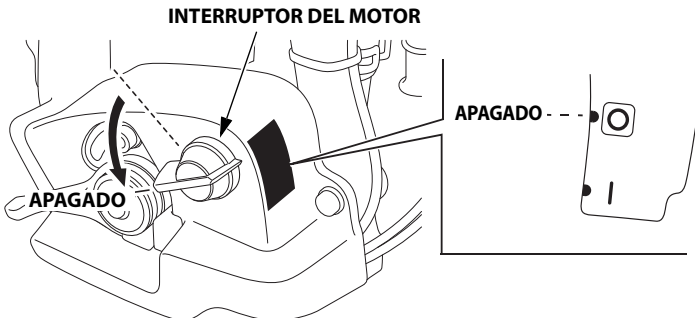
TIPOS CON CABEZAL AZUL / 4 CABEZALES



2. Mueva la palanca del acelerador a la posición LENTO.



3. Gire el interruptor del motor a la posición APAGADO.



Lea y comprenda las instrucciones de seguridad de las páginas 3 a 12 antes de utilizar el pulverizador de mochila.

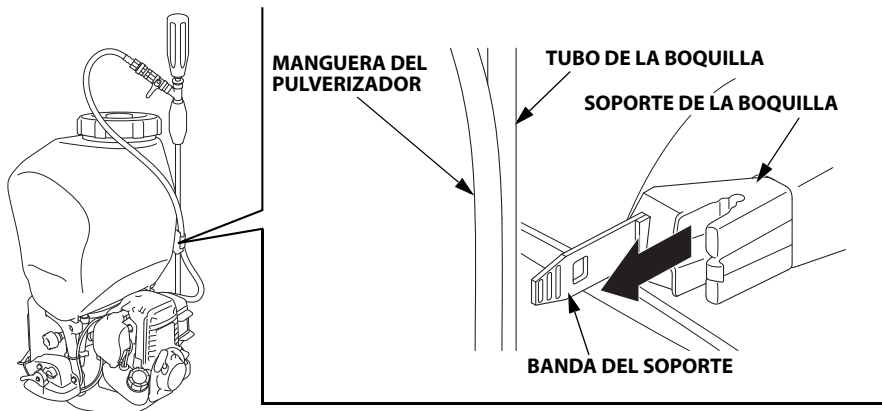
Si nota algún sonido, olor o vibración anómalos, u otras señales poco habituales, detenga el motor inmediatamente y consulte a su concesionario autorizado Honda.

Antes de la utilización

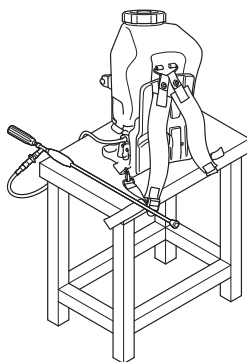
- Introduzca 1 litro o más de componentes químicos agrícolas en el depósito mientras mantiene éste en una posición nivelada (vea la página 35).
- Asegúrese de que la válvula de cierre está en la posición CERRADO (consulte la página 21).
- Asegúrese de que la palanca del acelerador se encuentra en la posición LENTO (consulte la página 19).
- Asegúrese de que el calibrador de presión está girado hacia la izquierda (BAJO) hasta el tope y está colocado en la posición de totalmente CERRADO (consulte la página 22).

Funcionamiento

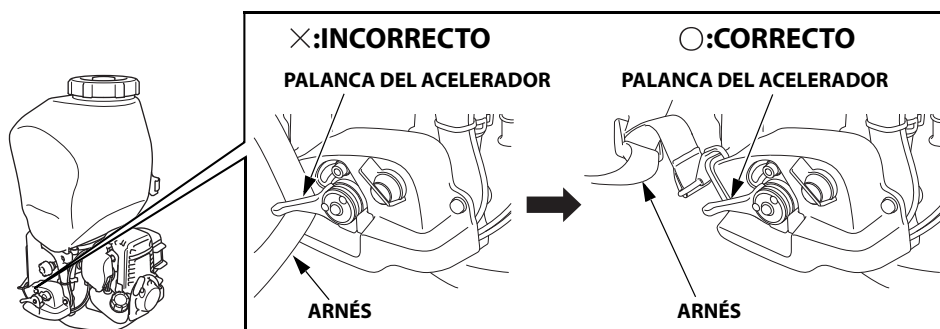
1. Encienda el motor siguiendo el procedimiento de arranque del mismo (vea la página 37).
2. Extraiga la banda del soporte del soporte de la boquilla.
3. Extraiga la manguera del pulverizador y el tubo de la boquilla del soporte de la boquilla.



4. Coloque el pulverizador de mochila en una mesa plana.



5. Asegúrese de que el arnés no está enredado con la palanca del acelerador.



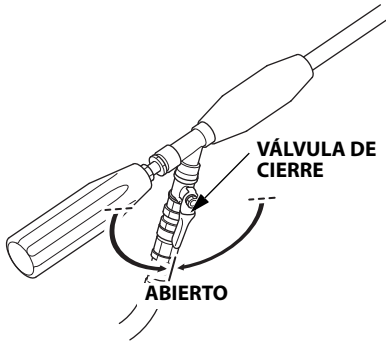
Luego, coloque el pulverizador de mochila en su espalda.

- Coloque el arnés sobre sus hombros para transportar el pulverizador de mochila.
- Ajuste la longitud del arnés.

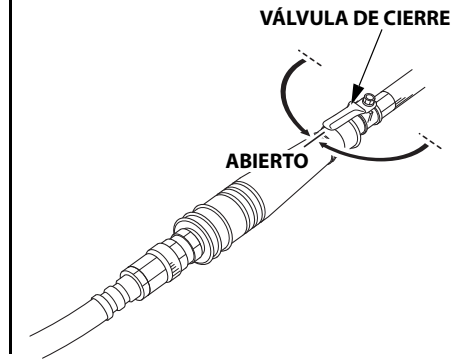


6. Gire la válvula de cierre hasta la posición ABIERTO.

TIPO DE LARGA DISTANCIA

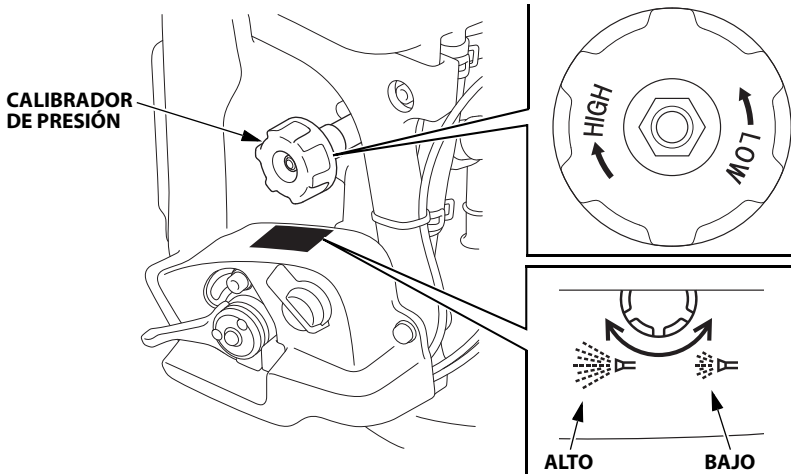


TIPOS CON CABEZAL AZUL / 4 CABEZALES



7. Gire el calibrador de presión hacia la derecha (ALTO) para adaptar la presión de pulverización a las condiciones de funcionamiento.

- Cuando se gira el calibrador de presión hacia la derecha (ALTO), la presión y la cantidad de pulverización aumentan.
- Cuando se gira el calibrador de presión hacia la izquierda (BAJO), la presión y la cantidad de pulverización disminuyen.



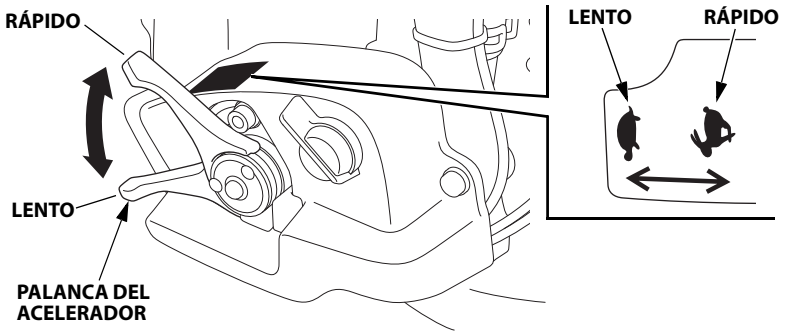
8. Mueva la palanca del acelerador a la posición deseada mientras observa el estado de la pulverización.

NOTA:

Este pulverizador de mochila utiliza un embrague centrífugo.

Cuando el motor gira a baja velocidad, el embrague patina y la bomba no funciona.

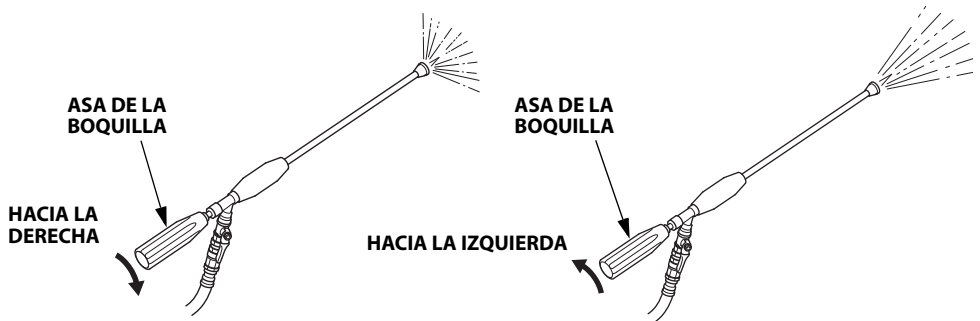
No utilice el pulverizador de mochila a una velocidad de giro que haga que el embrague patine. De lo contrario, el embrague podría dañarse.



Boquilla de larga distancia:

Ajuste el ángulo y la distancia de pulverización girando el asa de la boquilla mientras observa el estado de la pulverización.

- Cuando se gira el asa de la boquilla hacia la derecha, el ángulo de pulverización se amplía y la distancia se acorta.
- Cuando se gira el asa de la boquilla hacia la izquierda, el ángulo de pulverización se estrecha y la distancia aumenta.



Durante la operación

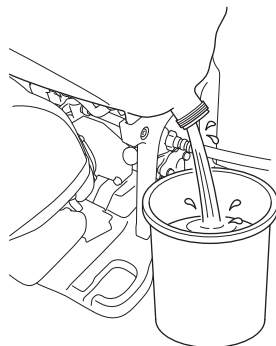
- No apunte la boquilla hacia otras personas.
- Preste atención a los restos de componente químico del depósito.
Para evitar el uso del pulverizador de mochila sin una cantidad suficiente de componentes químicos en el depósito, en el momento que la boquilla haya dejado de pulverizar, apague el motor o la bomba podría dañarse. Introduzca, al menos, 1 litro de componente químico en el depósito (vea la página 35).



Después del uso

A la hora de manipular compuestos químicos agrícolas, siga las instrucciones del fabricante o del distribuidor. De la misma forma, siga la legislación y las normativas.

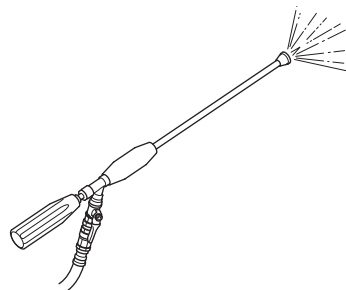
1. Detenga el motor (vea la página 42).
2. Después de que el motor se haya enfriado, quite el tapón de drenaje del depósito de compuestos químicos agrícolas.



3. Instale el tapón de drenaje y quite el tapón del depósito de componentes químicos para verter agua en su interior y enjuagarlo.



4. Vuelva a poner el motor en funcionamiento (vea la página 37) y mueva la palanca del acelerador entre la posición RÁPIDO y la posición LENTO (vea la página 46). Mueva la válvula de cierre varias veces. Pulverice durante unos minutos. Vuelva a quitar el tapón de drenaje para extraer el agua del depósito.



5. Coloque el tubo de la boquilla y la manguera del pulverizador en el soporte de la boquilla y fíjelos con la banda del soporte (vea la página 22).

La inspección y los ajustes periódicos del pulverizador de mochila son esenciales para poder mantener un alto nivel de rendimiento. El mantenimiento regular también ayudará a extender la vida útil de servicio. Los intervalos de servicio requeridos y el tipo de mantenimiento que debe realizarse se describen en la tabla de la página siguiente.

⚠ ADVERTENCIA

- **Antes de llevar a cabo cualquier tarea de mantenimiento, ponga el pulverizador de mochila sobre una superficie nivelada, pare el motor y asegúrese de que el interruptor del motor esté en la posición APAGADO para cerciorarse de que el motor no pueda ponerse en marcha accidentalmente.**
- **Los servicios de mantenimiento del pulverizador de mochila deben ser realizados por un concesionario oficial de Honda, a menos que el propietario tenga las herramientas y los datos para el mantenimiento adecuados, y posea los conocimientos de mecánica necesarios.**

ATENCIÓN:

Utilice solamente piezas genuinas de Honda u otras equivalentes para realizar los trabajos de mantenimiento y reparación. Los recambios que no son de calidad equivalente pueden causar daños en el pulverizador de mochila.

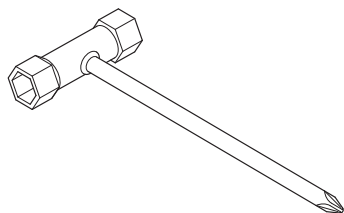
Programa de mantenimiento

PERIODOS REGULARES DE SERVICIO (3) Efectuar en cada uno de los intervalos en meses u horas de funcionamiento indicados, lo que se produzca antes.		Cada uso	Primer mes o 10 h.	Cada 3 meses o 25 h.	Cada 6 meses o 50 h.	Cada año o 100 h.	Cada 2 años o 300 h.	Consultar la página
ELEMENTO								
Aceite del motor	Comprobar nivel	o						27
	Cambiar		o		o			52
Filtro de aire	Comprobar	o						31
	Limpiar			o (1)				53
Bujía	Comprobar-ajustar					o		55
	Sustituir						o	55
Aletas de refrigeración del motor	Limpiar				o			61
Tuercas, tornillos y elementos de fijación	Comprobar (Reapretar si fuera necesario)	o						36
Cable del acelerador	Comprobar-ajustar	o						32
Zapata y tambor del embrague	Comprobar				o (2)			—
Velocidad de ralenti	Comprobar-ajustar					o (2)		—
Holgura de las válvulas	Comprobar-ajustar					o (2)		—
Cámara de combustión	Limpiar	Tras cada 300 h. de uso (2)						—
Filtro de combustible	Limpiar					o		58
Depósito de combustible	Limpiar					o		58
Tubo de combustible	Comprobar	Cada 2 años. (Sustituir si es necesario) (2)						—
Tubo de aceite	Comprobar	Cada 2 años. (Sustituir si es necesario) (2)						—
Junta de goma (bomba)	Comprobar (Sustituir, si fuera necesario)				o (2)			—
Fugas de la bomba	Comprobar	o (4)						36
Depósito de compuesto químico y filtro	Comprobar-limpiar	o						34
Bomba de aceite	Comprobar nivel	o						33
	Cambiar		o (2)			o (2)		—
Manguera, boquilla, fiadores	Comprobar (Reapretar si fuera necesario)	o						36
Boquilla	Limpiar	o						33
Grasa de la bomba (Copela de grasa)	Suministrar a la bomba	Cada 2 h. (5)						59
	Rellenar	Cuando la copela de grasa haya llegado a su final. (6)						60

- (1) Efectúe los trabajos de servicio con mayor frecuencia cuando se utilice la máquina en ambientes polvorientos.
- (2) Los trabajos de servicio de estos elementos deberán realizarse en su centro de reparación, excepto que disponga de las herramientas idóneas y tenga la cualificación necesaria para efectuar trabajos mecánicos. Para ver los procedimientos de servicio, consulte el manual de taller Honda.
- (3) Cuando se trate de unidades de uso comercial, registre las horas de funcionamiento para determinar los intervalos de mantenimiento idóneos.
- (4) Después de arrancar el motor, compruebe la presencia de fugas del componente químico de la bomba.
- (5) Gire las dos copelas de grasa, dos vueltas completas, cada 2 horas de funcionamiento.
- (6) Rellene ambas copelas de grasa con grasa para bomba cuando se haya girado la copela hasta el final.

Juego de herramientas

Las herramientas suministradas son necesarias para realizar algunos de los trabajos de mantenimiento periódicos y reparaciones y ajustes sencillos.



LLAVE DE TUBO, 16 × 17 mm



TORNILLO HEX. DE 4 mm

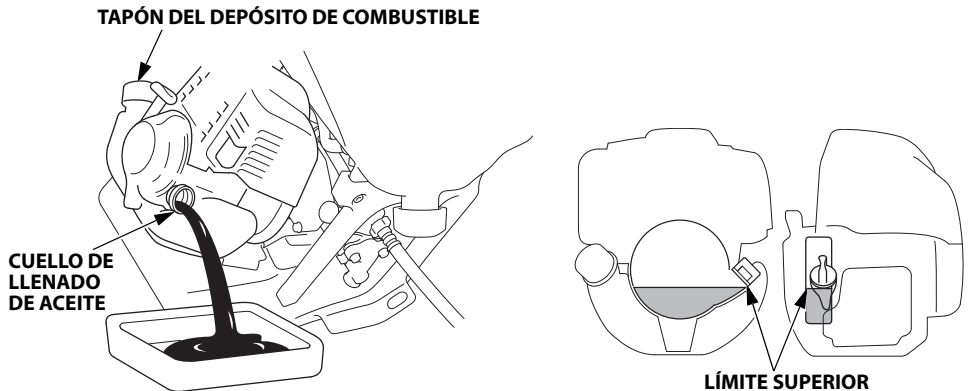
Cambio de aceite

Drene el aceite mientras el motor está todavía caliente para asegurar un drenaje rápido y completo.

Coloque el pulverizador de mochila en una superficie firme y nivelada con el motor parado.

1. Compruebe que la tapa del depósito de combustible esté apretada con seguridad.
2. Retire la tapa del orificio de llenado de aceite y drene el aceite en el recipiente del aceite inclinando el motor hacia el cuello del orificio de llenado de aceite.
3. Rellene hasta el límite superior con el aceite recomendado (vea la página 28). Añada el aceite de motor lentamente para evitar derramarlo ya que la capacidad del depósito de aceite del motor es limitada.

CAPACIDAD DE ACEITE: 0,10 L



4. Instale la tapa de relleno de aceite con seguridad.
Si se derrama algo de aceite, no se olvide de frotarlo.

Lávese las manos con agua y jabón después de haber manipulado aceite usado.

NOTA:

Tire el aceite de motor usado de manera que sea compatible con el medio ambiente. Sugerimos que lo lleve en un recipiente cerrado a su sitio de eliminación de residuos. No lo tire a la basura, al suelo o por el desagüe.

Mantenimiento del filtro de aire

Un filtro de aire sucio restringirá la circulación de aire hacia el carburador. Para evitar el mal funcionamiento del carburador, examine regularmente el filtro de aire. Limpie el filtro de aire con más frecuencia cuando el pulverizador de mochila funcione en lugares muy polvorientos.

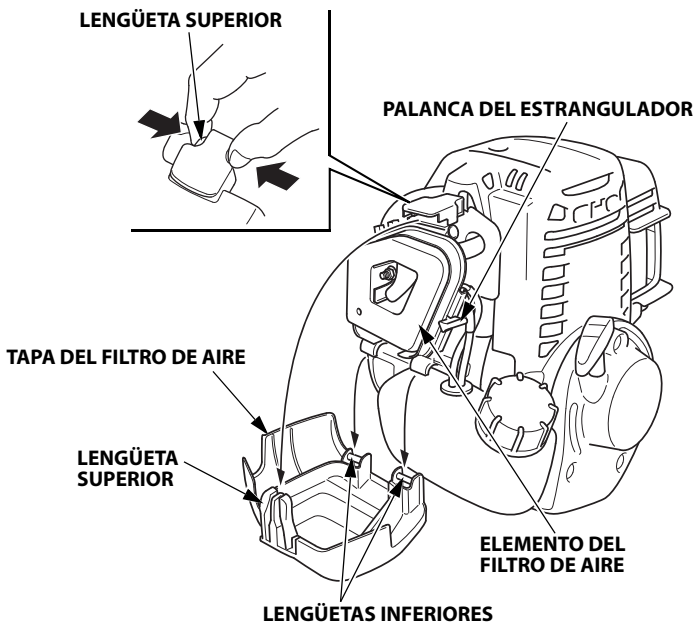
⚠ ADVERTENCIA

No emplee nunca gasolina ni solventes de bajo punto de inflamación para la limpieza del elemento del filtro de aire. Podrían producirse incendios o explosiones.

ATENCIÓN:

Nunca ponga en marcha el motor sin el filtro de aire. Esto producirá un desgaste rápido del motor.

1. Mueva la palanca del estrangulador a la posición CERRADO (vea la página 38).
2. Quite la tapa del filtro de aire desenganchando la lengüeta superior encima de la tapa y las dos lengüetas inferiores.
3. Extraiga el elemento del filtro de aire.



4. Limpie el elemento con un disolvente no inflamable o de alto punto de inflamación y séquelo bien.

Sumerja el elemento en aceite para el motor limpio y estrújelo para eliminar el exceso de aceite.

Limpia

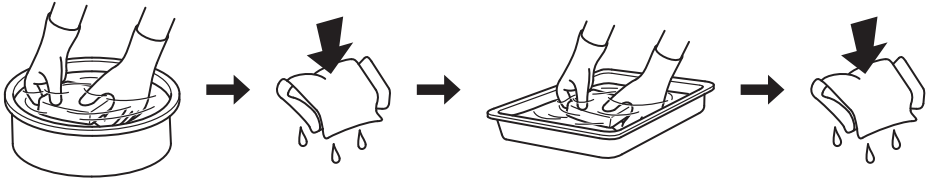
Ecurrir y secar

Bañar en aceite

Ecurrir

No retorcer.

No retorcer.



5. Limpie la suciedad del cuerpo del filtro de aire y la cubierta, empleando un trapo humedecido. Tenga cuidado para evitar que se introduzca suciedad en el carburador.

6. Vuelva a instalar el elemento del filtro de aire.

7. Reponga la tapa del filtro de aire insertando las lengüetas inferiores y luego la lengüeta superior.

Mantenimiento de la bujía de encendido

Bujía recomendada: CMR5H (NGK)

ATENCIÓN:

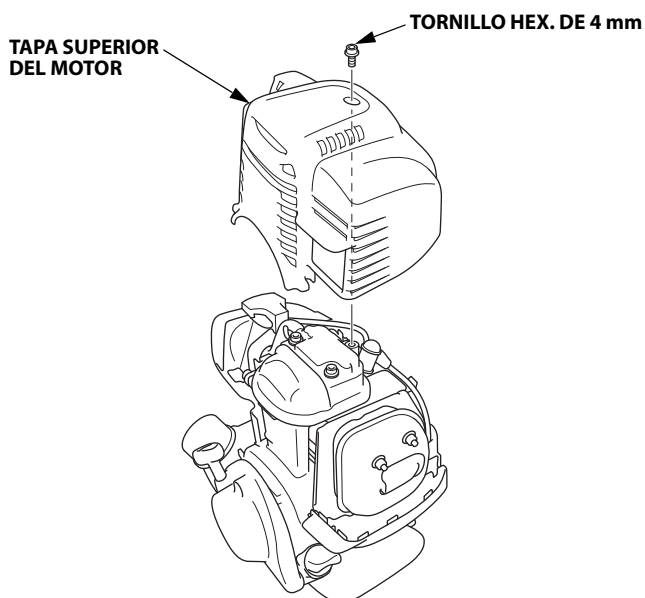
No utilice nunca una bujía con una gama de calor inadecuada.

Para asegurar el funcionamiento adecuado del motor, las bujías deben tener el entrehierro adecuado y estar exentas de depósitos.

1. Afloje el tornillo hexagonal de 4 mm y desmonte la tapa superior del motor.

No tire de la empuñadura del arrancador y arranque el motor sin su tapa superior.

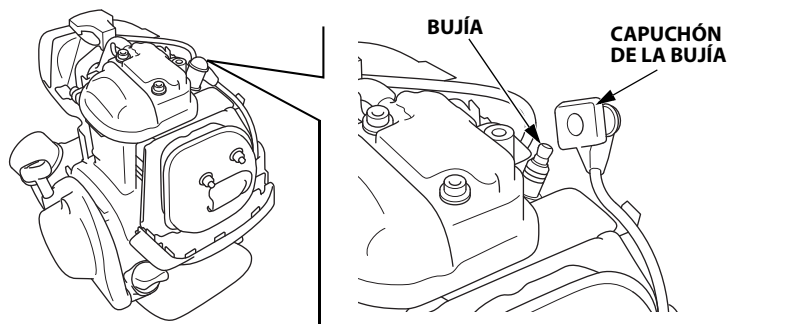
Hay partes giratorias y partes calientes debajo de la cubierta.



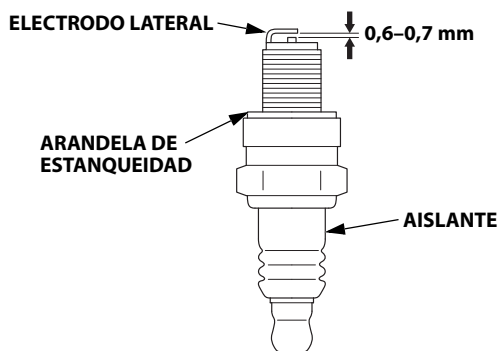
2. Retire el capuchón de la bujía. Saque la suciedad que haya en torno al área de la bujía.
3. Emplee una llave de cubo de 16×17 mm para extraer la bujía.

▲ ADVERTENCIA

Si el motor ha estado funcionando, el silenciador estará muy caliente. Tener cuidado de no tocar el silenciador.



4. Inspeccione visualmente la bujía. Tire la bujía si tienen desgaste aparente o si el aislador está partido o rajado. Limpie la bujía con un cepillo de alambre si fuese a utilizarla de nuevo.
5. Mida la separación entre electrodos con un calibre de espesores. Corríjalo como sea necesario doblando el electrodo lateral. El huelgo deberá ser:
 $0,6-0,7$ mm



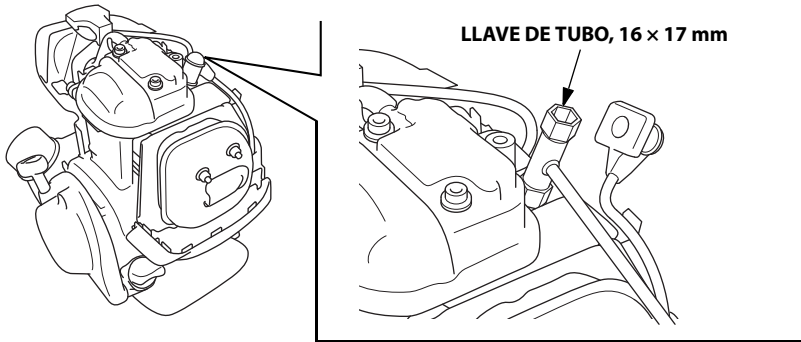
6. Compruebe que la arandela de sellado esté en buen estado, y enrosque la bujía con la mano para evitar que se dañen las roscas.

-
7. Después de instalar la bujía, apriétela con una llave de cubo de 16 × 17 mm para comprimir la arandela.

NOTA:

Cuando instale una bujía nueva, apriétela 1/2 de vuelta después de haberse asentado la bujía para comprimir la arandela. Si se va a usar una bujía usada, se tiene que apretar solamente un 1/8–1/4 de vuelta después de asentarla para comprimir la arandela.

PAR DE TORSIÓN: 11.8 N·m (1.2 kgf·m, 8.7 lbf·ft)



8. Coloque la tapa de la bujía.
9. Instale la cubierta superior del motor, y apriete con seguridad el perno de cabeza hexagonal de 4 mm.

ATENCIÓN:

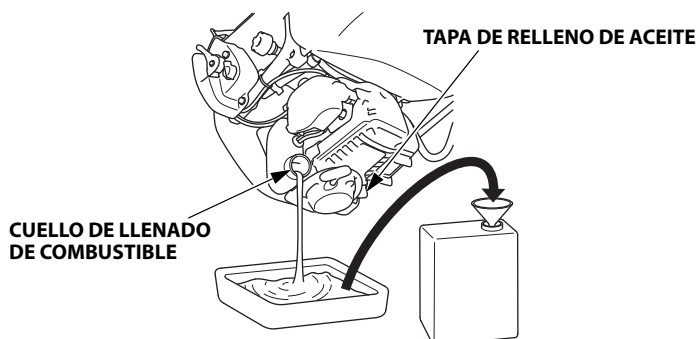
La bujía debe estar bien prieta. Una bujía apretada inadecuadamente puede llegar a calentarse demasiado y causar daños en el motor.

Limpeza del filtro de combustible y depósito de combustible

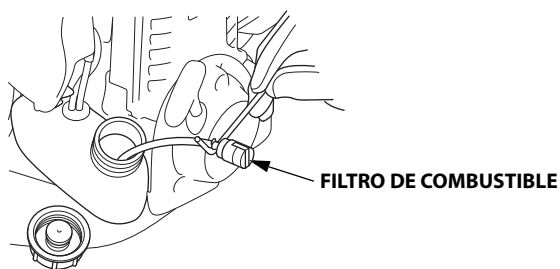
⚠ ADVERTENCIA

La gasolina es muy inflamable y explosiva bajo ciertas condiciones. No fume ni permita que se produzcan llamas ni chispas en el lugar.

1. Compruebe que la tapa de relleno de aceite esté apretada con seguridad.
2. Quite la tapa del orificio de llenado de combustible y drene la gasolina en un recipiente inclinando el motor hacia el cuello del orificio de llenado de combustible.



3. Extraiga con cuidado el filtro de combustible del cuello de llenado de combustible con el cable de mecánico.

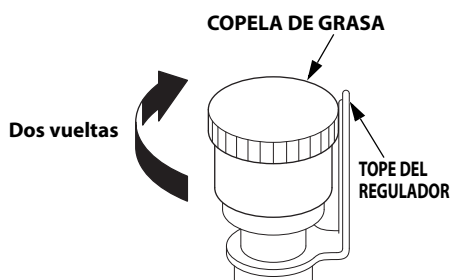


4. Compruebe si hay suciedad en el filtro de combustible. Si el filtro de combustible está sucio, lávelo con cuidado con solvente ininflamable o de alto punto de inflamación. Reemplace el filtro de combustible si está excesivamente sucio.
5. Quite el agua o la suciedad que quede en el depósito de combustible enjuagando el interior del depósito de combustible con un disolvente no inflamable o de alto punto de inflamación.
6. Vuelva a colocar el filtro de combustible en el depósito de combustible y apriete la tapa del depósito de combustible firmemente.

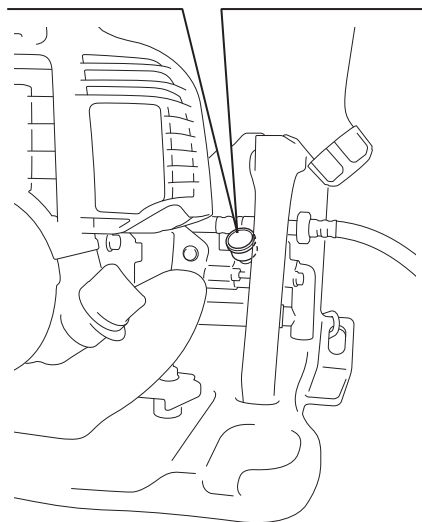
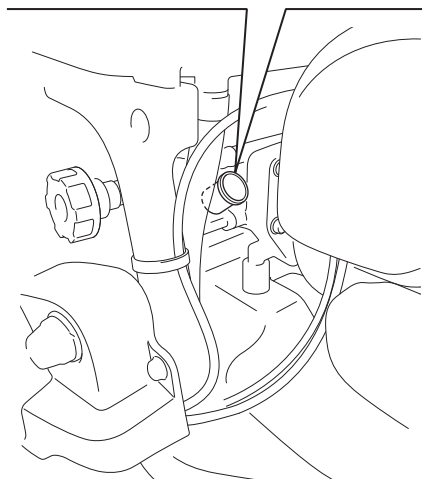
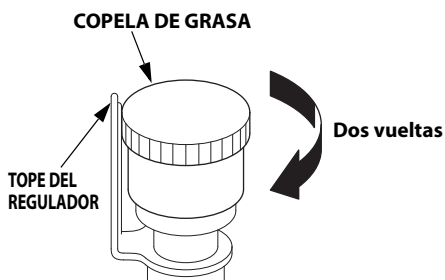
Suministro de grasa a la bomba

Cada 2 horas, gire hacia la derecha las copelas de grasa de la derecha e izquierda desde el tope del regulador hacia la derecha de forma que ambos reguladores tengan el mismo número de revoluciones y suministre grasa a la bomba.

[LADO IZQUIERDO]



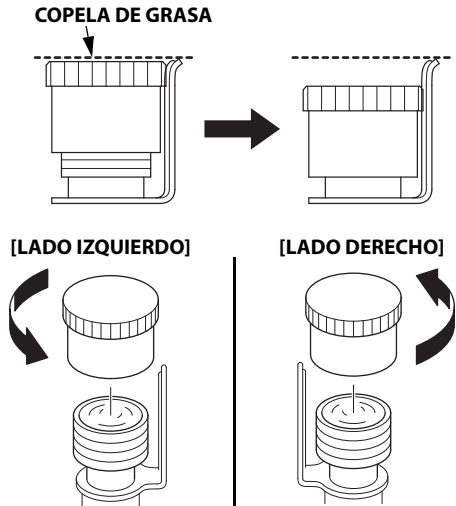
[LADO DERECHO]



Relleno de grasa para la bomba en la copela de grasa

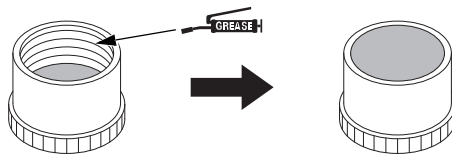
Cuando la copela de grasa se haya girado hasta el final, rellene ambas copelas con grasa para bomba.

1. Desmonte la copela de grasa girándola hacia la izquierda.



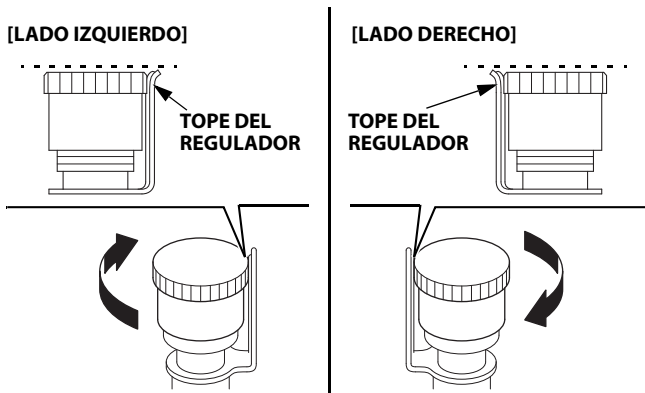
2. Rellene la copela de grasa hasta el máximo con grasa para la bomba.

: Grasa multiusos con base de litio N.º 3 o equivalente



3. Instale ambas copelas de grasa.

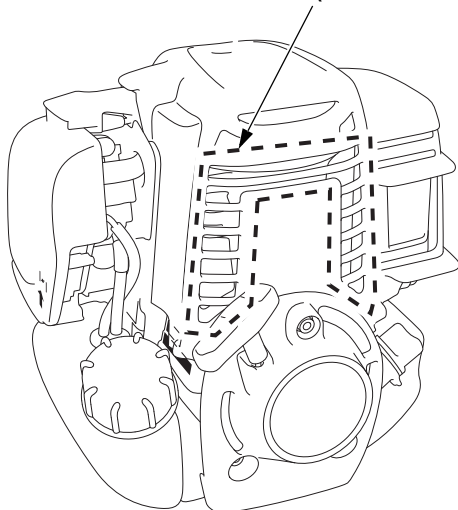
Apriete la copela de grasa hasta que su superficie superior y la parte superior del tope del regulador estén al mismo nivel.



Servicio de las aletas de enfriamiento

Inspeccione visualmente las aletas de enfriamiento a través de la cubierta. Si tiene alguna hierba u hoja seca o barro atascado, consulte a su concesionario autorizado Honda para limpiarlo.

ALETAS DE ENFRIAMIENTO (dentro de la cubierta)



11. TRANSPORTE/ALMACENAJE

Transporte

- Si el pulverizador de mochila ha estado en funcionamiento, permita que se enfríe antes de cargarlo en el vehículo de transporte. Si el motor y el sistema de escape están calientes pueden causarle quemaduras y hacer que se enciendan algunos materiales.
- Gire siempre el interruptor del motor a la posición APAGADO.
- Asegúrese de que el tapón del depósito de combustible esté firmemente apretado.
- Mantenga nivelado el pulverizador de mochila cuando lo transporte para reducir la posibilidad de que se produzcan fugas de combustible.

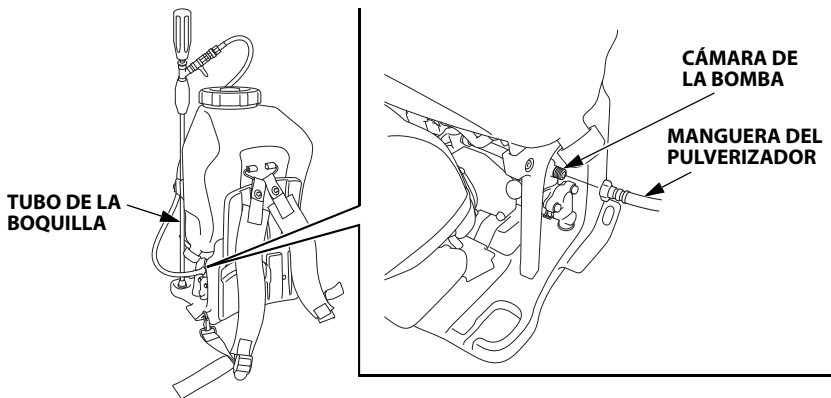
▲ ADVERTENCIA

- **Para evitar quemaduras severas o peligros de incendios, deje enfriar el motor antes de transportar el pulverizador de mochila o guardarlo bajo techo.**
- **Cuando transporte el pulverizador de mochila, apriete el tapón del depósito de combustible para evitar que éste se derrame. El vapor o los derrames de combustible pueden encenderse.**
- Drene todo el compuesto químico del depósito.
- Fije firmemente el pulverizador de mochila a nivel en el vehículo de transporte.
- No conduzca ningún vehículo transportando el pulverizador de mochila en su espalda. Podría causar accidentes inesperados.
- Cuando transporte el pulverizador de mochila, coloque el tubo de la boquilla y la manguera del pulverizador en el soporte de la boquilla.

Almacenaje

Antes de almacenar el pulverizador de mochila durante períodos prolongados de tiempo:

1. Siga los procedimientos indicados en la sección "Después del uso" (vea la página 48).
2. Para evitar que el agua se congele en invierno, drene completamente el agua de la cámara de la bomba.
 - a. Desconecte la manguera del pulverizador de la cámara de la bomba.
Para evitar que el tubo de la boquilla se obstruya, después de desconectar la manguera del pulverizador, asegúrese de que no hay polvo ni suciedad en ésta ni en el pulverizador de mochila.



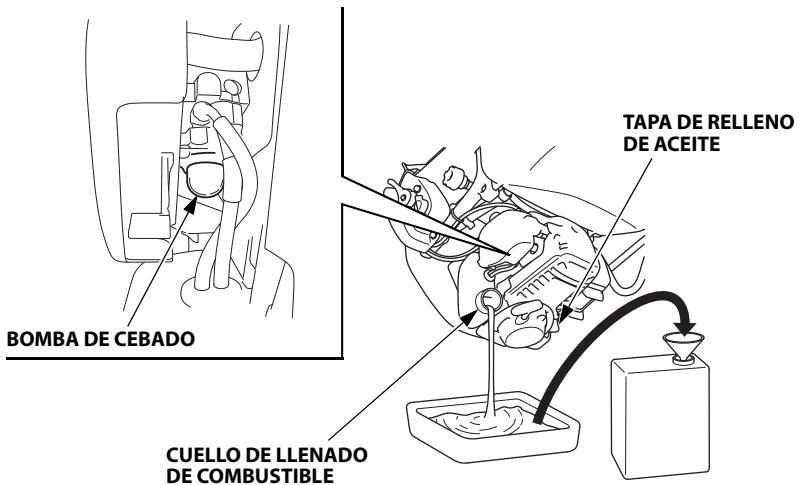
- b. Arranque el motor (vea la página 37).
- c. Mueva la palanca del acelerador entre las posiciones RÁPIDO y LENTO (vea la página 46), y manténgala ahí durante diez segundos para drenar completamente la cámara de la bomba.
- d. Detenga el motor (vea la página 42).

3. Drene el combustible.

⚠ ADVERTENCIA

La gasolina es muy inflamable y explosiva bajo ciertas condiciones. No fume ni permita que se produzcan llamas ni chispas en el lugar.

- Compruebe que la tapa de relleno de aceite esté apretada con seguridad.
- Quite la tapa del orificio de llenado de combustible y drene la gasolina en un recipiente inclinando el motor hacia el cuello del orificio de llenado de combustible.



- Presione la bomba de cebo varias veces hasta que todo el combustible vuelva al depósito de combustible.
 - Incline el motor hacia el cuello del orificio de llenado de combustible nuevamente para drenar en el recipiente el combustible que quede en el depósito de combustible.
 - Apriete firmemente la tapa del depósito de combustible después de drenar completamente el combustible.
- Cambie el aceite de motor (vea la página 52).
 - Limpie el filtro de aire (vea la página 53).

-
6. Lubrique el cilindro.
 - a. Afloje el tornillo hexagonal de 4 mm y desmonte la tapa superior del motor (vea la página 55).
 - b. Extraiga la bujía (vea la página 56).
 - c. Aplique un par de gotas de aceite de motor limpio al cilindro.
 - d. Instale provisionalmente la cubierta superior del motor.
 - e. Tire varias veces de la empuñadura del arrancador para que el aceite se distribuya por el cilindro.
 - f. Extraiga la cubierta superior del motor y reinstale la bujía.
 - g. Instale la cubierta superior del motor, y apriete con seguridad el perno de cabeza hexagonal de 4 mm.
 7. Tire lentamente de la empuñadura del arrancador hasta que note resistencia.
 8. Cubra el motor para protegerlo contra el polvo.
 9. Guarde el pulverizador de mochila en un lugar seguro y bajo llave, inaccesible para los niños y los animales, libre de polvo y de humedad y alejado de las chispas. Coloque una lona o un plástico sobre la máquina durante su almacenamiento.

12. LOCALIZACIÓN Y REPARACIÓN DE AVERÍAS

Cuando el motor no arranca:

1. ¿Está el interruptor del motor en la posición de ENCENDIDO?
2. ¿Hay combustible en el depósito de combustible?
3. ¿Llega la gasolina al carburador?
Para comprobar, presione la bomba de cebo varias veces.
4. ¿La bujía se encuentra en buen estado?
Extraiga e inspeccione la bujía. Limpie, reajuste el huelgo y seque la bujía.
Sustituirlo si fuera necesario.

Si aún no arrancara el motor, lleve el pulverizador de mochila a su concesionario de servicio.

Cuando el pulverizador de mochila rocía de forma irregular:

COMPUESTOS QUÍMICOS NO PULVERIZADOS

Compruebe que no ha disminuido la velocidad del motor (vea la página 46).

PRESIÓN DE ATOMIZACIÓN NO ALCANZADA

1. Compruebe si la boquilla está obstruida o presenta signos de daños.
2. Desmonte y mantenga la boquilla (vea la página 33).

Si el pulverizador de mochila sigue sin funcionar, llévalo a su concesionario de servicio.

13. ESPECIFICACIONES

Bastidor

Modelo	WJR4025T		
Tipo de bastidor	GCS	GCL	GCV
Código de descripción de productos motorizados	WAFT		
Longitud ^{*1}	400 mm		
Anchura ^{*1}	415 mm		
Altura ^{*1}	695 mm		
Masa en seco [peso] ^{*2}	12,5 kg		
Capacidad del depósito de componentes químicos	25 L		

*1 Sin manguera ni boquilla

*2 Con aceite de la bomba

Bomba

Modelo	WJR4025T
Tipo de bomba	Empujador
Sistema de accionamiento	Embrague centrífugo automático
Sistema de ajuste de presión	Válvula de despresurización
Presión	4,0 MPa (a 6.700 rpm)
Caudal de succión	8,0 L/min (a 6.700 rpm)

Motor

Modelo	GX35T
Tipo de motor	Cuatro tiempos, árbol de levas en cabeza, monocilíndrico
Cilindrada	35,8 cm ³
Diámetro × carrera	39,0 × 30,0 mm
Potencia neta del motor (según SAE J1349*)	1,0 kW (1,4 PS)/7.000 rpm
Par máx. neto del motor (según SAE J1349*)	1,6 N·m (0,16 kgf·m)/5.500 rpm
Sistema de refrigeración	Aire forzado
Sistema de encendido	Magneto de transistor
Capacidad del depósito de combustible	0,63 L
Capacidad de aceite	0,10 L
Bujía	NGK: CMR5H

*La potencia nominal del motor indicada en este documento es la potencia de salida neta probada en un modelo de motor fabricado en serie y medida conforme a la norma SAE J1349 a 7.000 rpm (potencia neta del motor) y a 5.500 rpm (par motor neto máx. del motor). Los motores de producción en cadena pueden tener valores diferentes a este.

La potencia real para el motor instalado en la máquina final dependerá de diversos factores, incluidos la velocidad de trabajo del motor en la aplicación, las condiciones ambientales, el mantenimiento, así como otras variables.

NOTA:

Las especificaciones están sujetas a cambios sin previo aviso.

HONDA

WJR4025
4MYH3601
00X4M-YH3-6011

© Honda Motor Co., Ltd. 2020

Printed in Thailand